

Model 4801A Accelerometer



Amplified, Signal Conditioned
Hermetically Sealed
Detachable Cable
-55°C to +125°C Operating Range



The **Model 4801A** is a true hermetically sealed accelerometer in a rugged stainless steel package. The offers an amplified signal conditioned output in ranges from ± 2 to $\pm 200g$. The model 4801A incorporates enhanced temperature compensation and a gas damped MEMS sensing element for optimum frequency response. Mechanical over-range stops offers shock protection up to 5,000g designed for both static and dynamic measurements in critical applications.

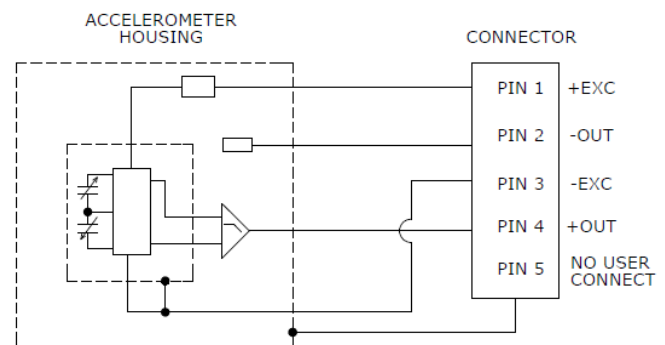
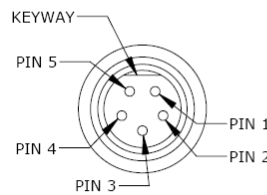
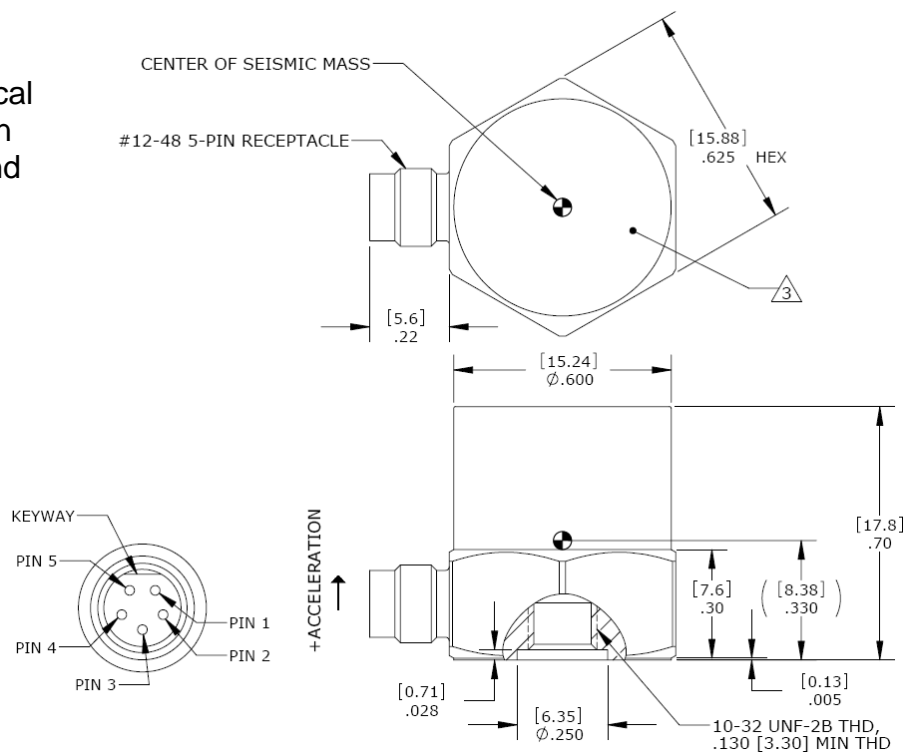
FEATURES

- $\pm 2g$ to $\pm 200g$ Dynamic Range
- Amplified Output
- 8-36Vdc Excitation Voltage
- Gas Damped MEMS Element
- Detachable Cable
- DC to 1500Hz Response
- Stud Mounting

APPLICATIONS

- Vehicle Testing
- Structural Testing
- Test & Instrumentation
- Transportation Measurements
- Environmental Testing

dimensions



Model 4801A Accelerometer

performance specifications

All values are typical at +24°C, 80Hz and 12Vdc excitation unless otherwise stated. Measurement Specialties reserves the right to update and change these specifications without notice. Standard product parameters are described in PSC-1004 for Plug & Play DC Accelerometers.

Parameters

DYNAMIC

	±2	±5	±10	±20	±50	±100	±200	Notes
Range (g)	±2	±5	±10	±20	±50	±100	±200	
Sensitivity (mV/g)	1000	400	200	100	40	20	10	
Frequency Response (Hz)	0-250	0-700	0-1000	0-1000	0-1000	0-1000	0-1000	±5%
Natural Frequency (Hz)	700	800	1000	1500	4000	6000	8000	
Non-Linearity (%FSO)	±1.0	±1.0	±1.0	±1.0	±1.0	±1.0	±1.0	
Transverse Sensitivity (%)	<3	<3	<3	<3	<3	<3	<3	<1 Typical
Damping Ratio	0.7	0.7	0.7	0.7	0.7	0.7	0.6	
Shock Limit (g)	5000	5000	5000	5000	5000	5000	5000	
Residual Noise (µV RMS)	600	750	800	800	800	400	400	Passband
Spectral Noise (µg/√Hz)	35	38	75	132	316	516	1033	Passband

ELECTRICAL

Zero Acceleration Output (mV)	±50							Differential
Excitation Voltage (Vdc)	8 to 36							
Excitation Current (mA)	<5							
Bias Voltage (Vdc)	2.5							
Full Scale Output Voltage (V)	±2							
Output Resistance (Ω)	<100							
Insulation Resistance (MΩ)	>100							@100Vdc
Turn On Time (msec)	<100							
Ground Isolation	Isolated from Mounting Surface							

ENVIRONMENTAL

Thermal Zero Shift (%FSO/°C)	±0.004							Typical
Thermal Sensitivity Shift (%/°C)	±0.010							Typical
Operating Temperature (°C)	-55 to 125							
Storage Temperature (°C)	-55 to 125							
Humidity	Hermetically Sealed, IP67 ¹							

PHYSICAL

Case Material	Stainless Steel
Weight (grams)	22
Mounting	#10-32 to #10-32 Mounting Stud (included)
Mounting Torque	18 lb-in (2.0 N-m)

¹ Mating cable needs to also have minimum IP67 rating and be properly sealed to accel connector in accordance with IEC 60529.

Calibration supplied: CS-FREQ-0100 NIST Traceable Amplitude Calibration from 20Hz to ±5% Frequency Response Limit¹

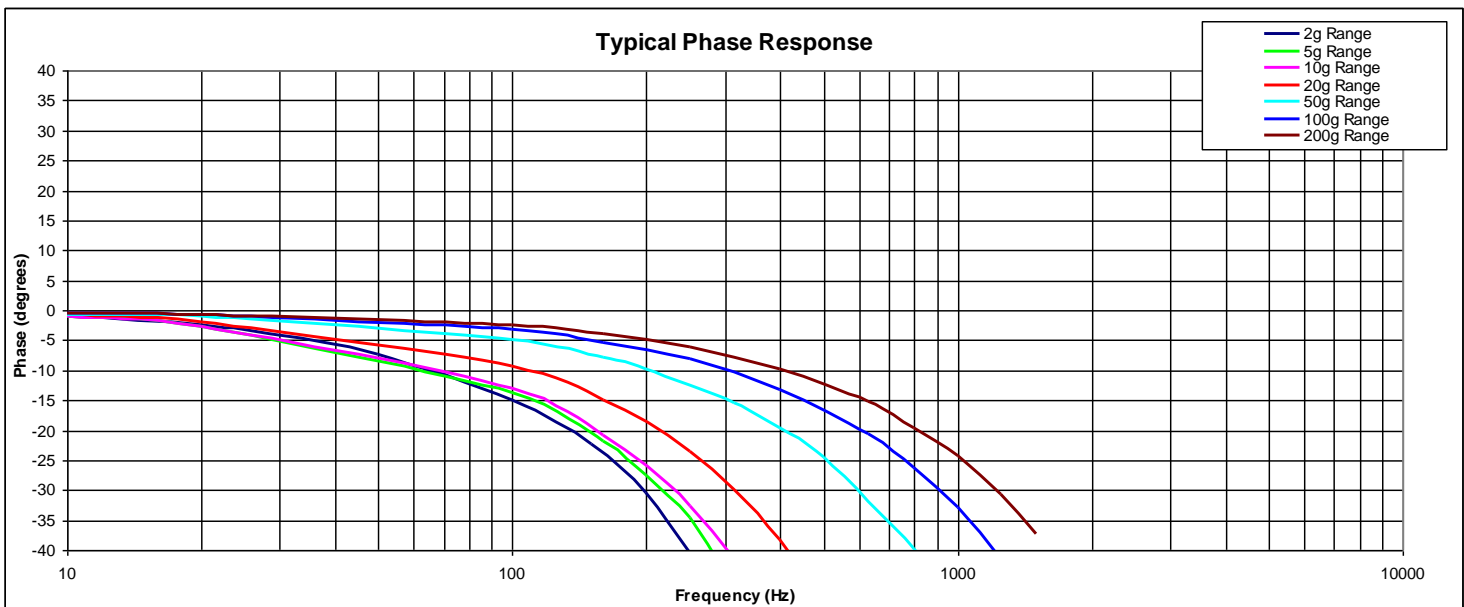
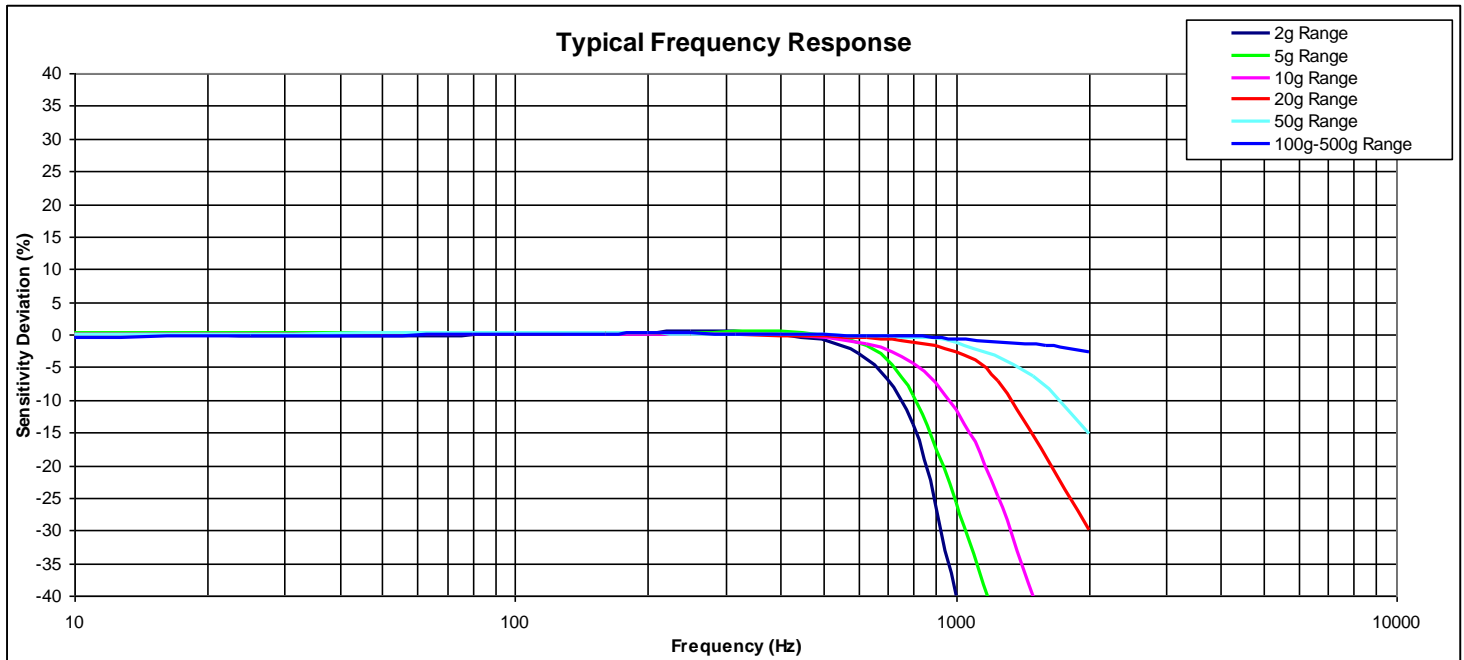
Supplied accessories: AC-D02298 10-32 to 10-32 mounting stud

Optional accessories: 340A-XXX Cable Assembly, #28 AWG, -54 to +121°C (XXX designates length in inches, 5ft standard)
 343-XXX Cable Assembly, #28 AWG, -40 to +85°C (XXX designates length in inches, 5ft standard)
 121 3-Channel Precision Low Noise DC Amplifier
 AC-D02741 Adhesive Mounting Adaptor
 AC-D04716 Triaxial Mounting Block

The information in this sheet has been carefully reviewed and is believed to be accurate; however, no responsibility is assumed for inaccuracies. Furthermore, this information does not convey to the purchaser of such devices any license under the patent rights to the manufacturer. Measurement Specialties, Inc. reserves the right to make changes without further notice to any product herein. Measurement Specialties, Inc. makes no warranty, representation or guarantee regarding the suitability of its product for any particular purpose, nor does Measurement Specialties, Inc. assume any liability arising out of the application or use of any product or circuit and specifically disclaims any and all liability, including without limitation consequential or incidental damages. Typical parameters can and do vary in different applications. All operating parameters must be validated for each customer application by customer's technical experts. Measurement Specialties, Inc. does not convey any license under its patent rights nor the rights of others.

Model 4801A Accelerometer

performance specifications



ordering info

PART NUMBERING Model Number+Range

4801A-GGGG-C

|
| _____ Range (0010 is 10g)

Example: 4801A-0010-C
Model 4801A, 10g