

FN4070 Seat Belt Buckle Sensor



- § High operating ranges
- § Crash-testing
- § Compatible with most seat belts
- § Detachable tongue and cable
- § Easy and economical maintenance

DESCRIPTION

The FN4070 load cell measures the effort generated on the anchor point of seat-belts during crash-tests. It has been specifically designed with a replaceable tongue, so that the load cell can be re-used by simply changing the tongue. It also has a cable output which can be renewed by the crash test technicians to allow for cost-effective, in-house maintenance of the device.

For lower operating ranges refer to model **FN4080**.

With many years of experience as a designer and manufacturer of sensors, Measurement Specialties, Inc., often works with customers to design or customize sensors for specific uses and testing environments.

To meet your needs we also offer complete turnkey systems. The matched components (sensor, power, amplifier and digital display) are formatted, calibrated and ready for immediate use.

FEATURES

- Multiple tongues adjustable by customer
- Dynamic application
- Very robust for crash
- Easy cable replacement for customer

APPLICATIONS

- Crash test on-board equipment
- Comfort on-board
- Parachute and security absorber

STANDARD RANGES

F.S. Ranges in N	1k	5k	10k	25k	50k
F.S. Ranges in Lbf	200	1k	2k	5k	10k
Materials	Aluminum	Stainless Steel			

FN4070 Seat Belt Buckle Sensor

PERFORMANCE SPECIFICATIONS

All values are typical at temperature 20±1° C

PARAMETERS	
Operating Temperature Range (OTR)	-20 to 80 °C [-4 to 176 °F]
Compensated Temperature Range (CTR)	0 to 60°C [32 to 140°F]
Zero Shift in CTR	<0.5% F.S. /60°C [108 F°]
Sensitivity Shift in CTR	<2.104 / °C of reading ; [<1.104 / °F of reading]
Range (F.S.)	0-1kN to 0-50kN [0-200 Lbf to 0-10 kLbf]
Over-Range	
Without Damage	1.5 x F.S.
Without Destruction	3 x F.S.
Accuracy	
Combined Non-Linearity & Hysteresis	<±0.5%F.S

Electrical Characteristics

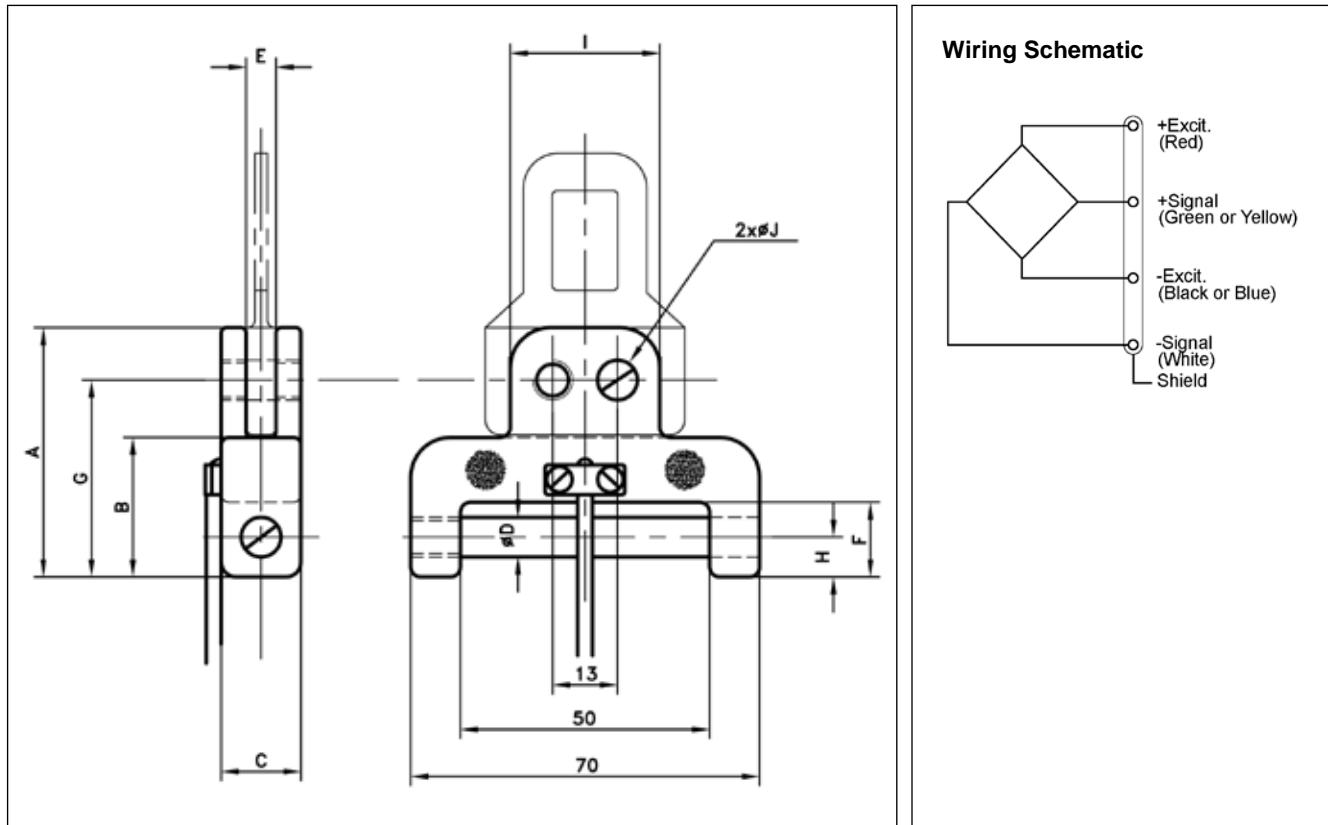
Model	FN4070
Supply Outage	10Vdc
F.S. Output	15mV
Zero Offset	<±5% F.S.
Insulation under 50Vdc	≥100MΩ

Notes

1. Shielded polyurethane cable with 4 wires (AWG36/28), standard length 2 m [6.5 ft]
2. Material: Body in stainless steel or aluminium alloy depending on F.S.
3. Protection Index: IP50 (other levels available on request)

FN4070 Seat Belt Buckle Sensor

DIMENSIONS & WIRING SCHEMATIC (IN METRIC AND IMPERIAL)



Dimensions in mm [inch]

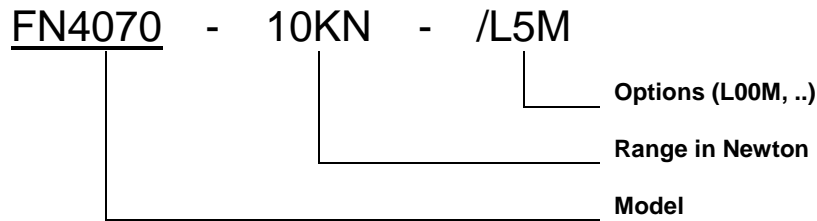
Full Scale Range in N [in Lbf]	1k [200]	5k [1k]	10k [2k]	25k [5k]	50k [10k]
A	36 [1.42]	50 [1.97]	50 [1.97]	61 [2.40]	92 [3.62]
B	24 [0.94]	28 [1.10]	28 [1.10]	37 [1.46]	55 [2.17]
C	12 [0.47]	15 [0.59]	15 [0.59]	19 [0.75]	29 [1.14]
D	6.2 [0.24]	8.2 [0.32]	8.2 [0.32]	12.2 [0.48]	18.5 [0.73]
E	3 [0.12]	6 [0.24]	6 [0.24]	8 [0.31]	12 [0.47]
F	13 [0.51]	15 [0.59]	15 [0.59]	24 [0.94]	37 [1.46]
G	30.5 [1.20]	39.5 [1.56]	39.5 [1.56]	50.5 [1.99]	75.5 [2.97]
H	7 [0.28]	8 [0.31]	8 [0.31]	12 [0.47]	18.5 [0.73]
I	24 [0.94]	30 [1.18]	30 [1.18]	30 [1.18]	40 [1.57]
J	5.2 [0.20]	8.2 [0.32]	8.2 [0.32]	8.2 [0.32]	12.2 [0.48]

FN4070 Seat Belt Buckle Sensor

OPTIONS

L00M: Additional cable length option, replace "00" with total length in meters

ORDERING INFO



NORTH AMERICA

Measurement Specialties, Inc.
Vibration Design Center
32 Journey - Suite 150
Aliso Viejo, CA 92656
United States USA
Tel: 1-949-716-0877
Fax: 1-949-916-5677
t&m@meas-spec.com

EUROPE

Measurement Specialties
(Europe), Ltd.
26 Rue des Dames
78340 Les Clayes-Sous-Bois,
France
Tel: +33 (0) 130 79 33 00
Fax: +33 (0) 134 81 03 59
cs.lcsb@meas-spec.com

ASIA

Measurement Specialties
(China), Ltd.
No. 26 Langshan Road
Shenzhen High-Tech Park (North)
Nanshan District, Shenzhen
518057
China
Tel: +86 755 3330 5088
Fax: +86 755 3330 5099
pfg.cs.asia@meas-spec.com

The information in this sheet has been carefully reviewed and is believed to be accurate; however, no responsibility is assumed for inaccuracies. Furthermore, this information does not convey to the purchaser of such devices any license under the patent rights to the manufacturer. Measurement Specialties, Inc. reserves the right to make changes without further notice to any product herein. Measurement Specialties, Inc. makes no warranty, representation or guarantee regarding the suitability of its product for any particular purpose, nor does Measurement Specialties, Inc. assume any liability arising out of the application or use of any product or circuit and specifically disclaims any and all liability, including without limitation consequential or incidental damages. Typical parameters can and do vary in different applications. All operating parameters must be validated for each customer application by customer's technical experts. Measurement Specialties, Inc. does not convey any license under its patent rights nor the rights of others.