



MEM620-Bus



MEM520-Bus



MEM410-Bus

ABSOLUTE ENCODERS WITH FIELDBUS INTERFACE

PROFIBUS **CANopen**

- **Single & Multiturn Absolute Encoders**
- **Fieldbus: Profibus DP, CANopen**
- **High resolution**
- **Different configurations available**

MECHANICAL VERSIONS				
MEM620-Bus	MEM520-Bus	MEM540-Bus	MEM410-Bus	MEM430-Bus
Ø 58 mm body	Ø 58 mm body	Ø 58 mm body	Ø 58 mm body	Ø 58 mm body
63,5x63,5 mm square flange	Ø 58 mm round flange	Ø 58 mm round flange	Blind hollow shaft for motor fixing.	Blind hollow shaft for motor fixing.
Ø 31,75 mm centering mask	Servo coupling	Ø 36 mm centering mask- 3 holes M4 a 120° on Ø 48 mm	Joint hole Ø 8, 10, 12, 14 or 15 mm	Joint hole Ø 8, 10, 12, 14 or 15 mm
Shaft Ø 6, 8 or 10 mm	Ø 50 mm centering mask	Shaft Ø 6, 8 or 10 mm		Fixing by elastic metal support

MECHANICAL & ENVIRONMENTAL SPECIFICATIONS		
MEM-Bus	620/520/540	410/430
• Materials: case shaft	Aluminium Stainless steel	
• Weight	500 g ca.	
• Shaft/joint hole Ø	6, 8 ,10 mm	8, 10, 12, 14, 15 mm
• Revolutions/minute	6000	
• Starting torque	≤0.8 Ncm	
• Inertia	≤25 g cm ²	
• Max load	80 N axial/100 N radial	
• Vibrations resistance (10÷2000 Hz)	100 m/sec ²	
• Shock (11 ms)	50 G	
• Protection degree	IP65 optional IP67	IP65
• Operating temperature	-30 ÷ 70°C	
• Stocking temperature	-30 ÷ 85°C	

ELECTRICAL & OPERATING SPECIFICATIONS	
• Operating principle	Magnetic
• Resolution/revolution	8192 steps/rev – 13 bit
• Revolutions no. (multiturn)	65536/16 bit
• Initializing time	< 1 s
• Data memory	>21 years power off
• Fieldbus	Profibus, CANopen
• Supply	5 ÷ 28 Vdc Protection against polarity reversal
• Power consumption	2 W
• Accuracy	± ½ LSB
• Connection	3 cableglads or 2 cableglads
• Interference immunity	EN 61000-6-2
• Emitted interference	EN61000-6-4

SETTABLE PARAMETERS	DIAGNOSTIC FUNCTIONS	STATE INDICATORS
<ul style="list-style-type: none"> • Steps/revolution • Revolutions number • Preset • Rotation direction 	<ul style="list-style-type: none"> • Position or parameter error • Battery alarm 	<ul style="list-style-type: none"> • 3 signalling LEDs for: <ul style="list-style-type: none"> • Supply • Line • Error (CANopen)





MEM620-Bus



MEM540-Bus



MEM430-Bus

ORDERING INFORMATION

MEM520B	CAN	M	10	3P
	INTERFACE CAN = CANopen PDP = Profibus DP	No. of TURNS M = Multiturn S = Singleturn	SHAFT/JOINT HOLE Ø 6 – 8 – 10- 12 – 14 – 15 mm	CONNECTIONS 3P 3 cable glands 2P 2 cable glands

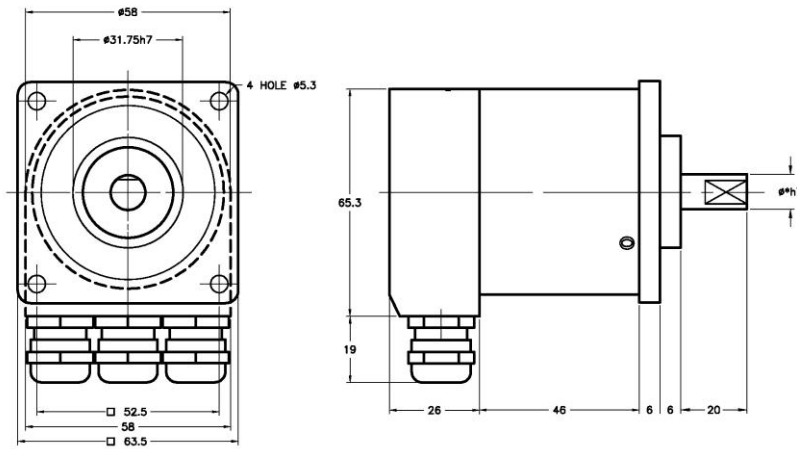
TYPE

- MEM520-Bus = Round flange Ø 58 mm
- MEM540-Bus = Round flange Ø 58 mm
- MEM620-Bus = Square flange 63.5x63.5 mm
- MEM410-Bus = Blind hollow shaft for motor coupling
- MEM430-Bus = Blind hollow shaft, fixing by elastic support

ELAP reserves the right to upgrade the product without notice

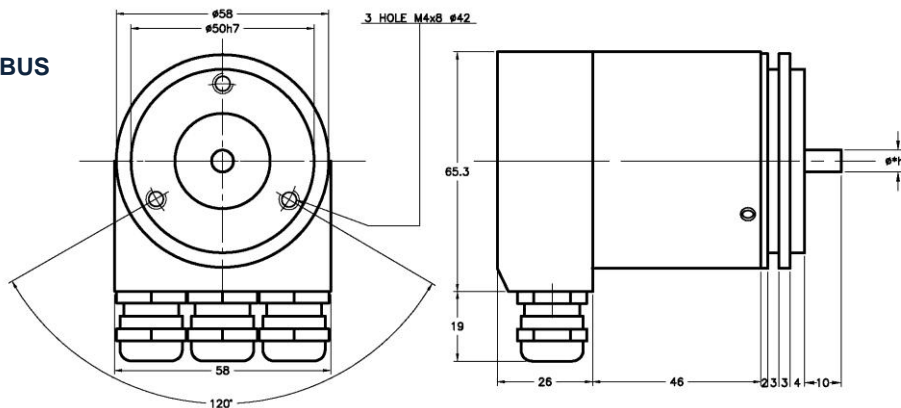
DIMENSIONS

MEM620-BUS



* AVAILABLE SHAFT DIAMETERS
8 – 10 length 20mm
6 length 10mm

MEM520-BUS

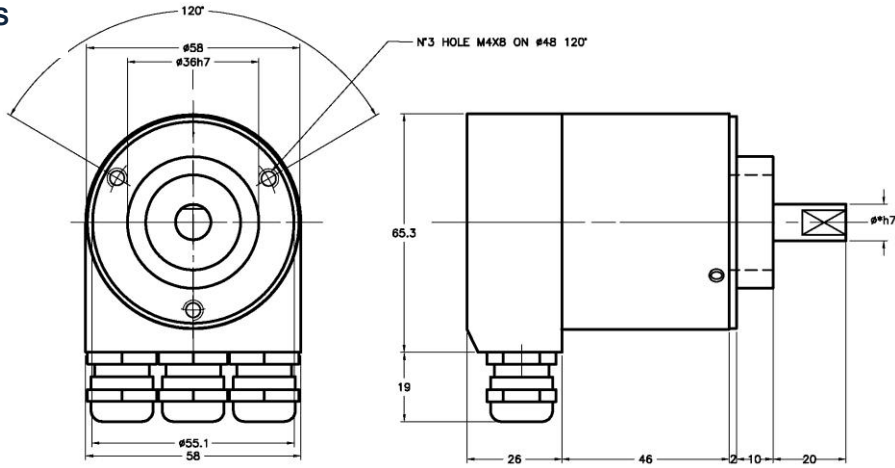


* AVAILABLE SHAFT DIAMETERS
8 – 10 length 20mm
6 length 10mm



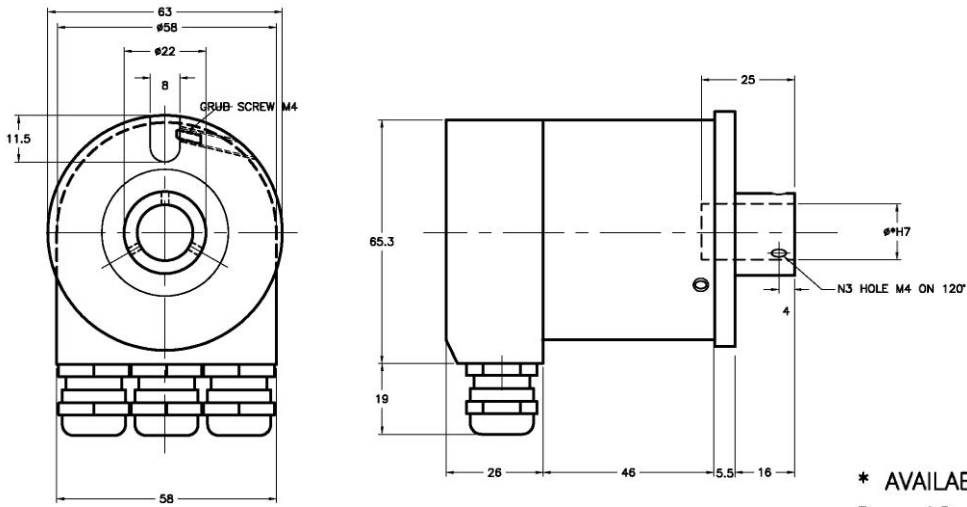
DIMENSIONS

MEM540-BUS



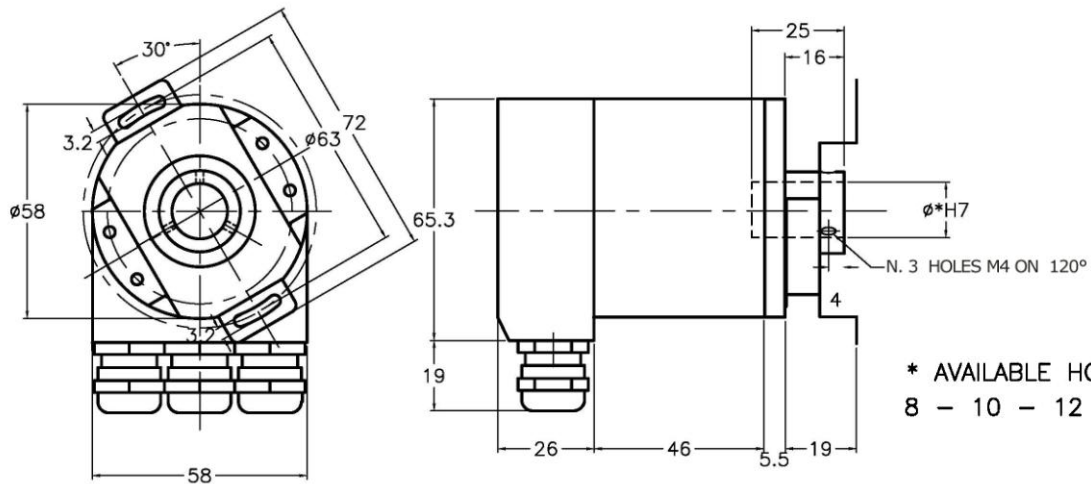
* AVAILABLE SHAFT DIAMETERS
8 – 10 length 20mm
6 length 10mm

MEM410-BUS



* AVAILABLE HOLE DIAMETER
8 – 10 – 12 – 14 – 15mm

MEM430-BUS



* AVAILABLE HOLE DIAMETER
8 – 10 – 12 – 14 – 15mm

Dimensional drawings available at:
www.elap.it/eng/absolute-encoders/encoder-mem-bus.html

elap

ELAP VIA VITTORIO VENETO, 4 – I-20094 CORSICO (MI) TEL. ++39.02.4519561
FAX ++39.02.45103406 E-MAIL: INFO@ELAP.IT URL: WWW.ELAP.IT