

Force Transducer KUS

Special Features

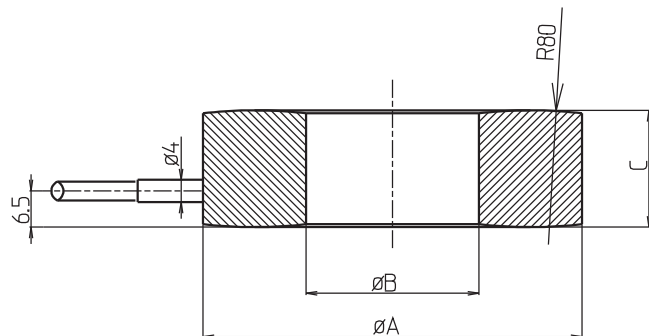
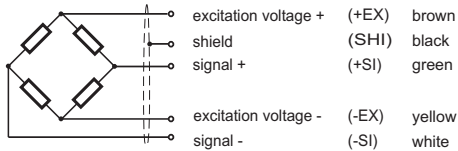
- Wide load range from 100kN to 3 MN
- For monitoring forces in screw or wire ropes
- Made of stainless steel
- Customized dimensions possible



Dimensions

Wiring code

Cable length 3,0 m



Type code	Order code	rated load	A	B	C
3572004	KUS/100kN/2	100kN	126	101	40
3571706	KUS/100kN/5	100kN	60	25	21
3571972	KUS/100kN/5	100kN	37	21	10,5
3572735	KUS/150kN/2	150kN	168	108	40
3571973	KUS/150kN/5	150kN	37	21	10,5
3573487	KUS/200kN/5	200kN	47	21	21
3573766	KUS/300kN/5	300kN	90	60	21
3571650	KUS/300kN/5	300kN	68	31	21
3573071	KUS/350kN/2	350kN	270	206	66
3570705.01	KUS/500kN/5	500kN	90	60	21
3570705.02	KUS/500kN/5	500kN	80	38	21
3573756	KUS/500kN/5	500kN	99,9	68	21
3572054	KUS/1000kN/5	1000kN	196	120	66
3573765	KUS/1500kN/5	1500kN	196	120	66
3570637	KUS/3000kN/5	3000kN	196	120	66

Force Transducer KUS

Specifications

Accuracy class	% S	< 5
Rated load (=F _N)	kN	von 100kN to 3MN
Ultimate overload	%F _N	>500
Reference temperature	°C	23
Operating temperature range	°C	-20 ... +60
Storage temperature range	°C	-40 ... +70
Environmental protection (DIN 40 0 50)		IP 65
Sensitivity (=S)	mV/V	1,7 ... 2,3
Zero balance	%S	3
Max. excitation voltage	V	20
Input resistance *)	Ω	380±30
Output resistance *)	Ω	352±30
Insulation resistance	Ω	> 5 · 10 ⁹
Reproducibility		
- at invariable fitting position	%S	≤1
- at changed fitting position	%S	≤5
Temperature effect on zero/10K	%S	≤1
Temperature effect on output/10K	%S	≤0,5
Creep in 30 minutes	%S	≤2

*) Type with 700Ω-bridge on request

Type code / Order example

Type code

KUS / 100kN / 5 / 60x25x21

Recommended mounting parts

	Description
Spherical washers	Spherical washer (following DIN 6319)
Conical seats	Conical seat (following DIN 6319)
Flat washers	Flat washer (following DIN 6340)

Spherical washer (DIN 6319)

conical seat (DIN 6319)

KUS

Flat washer (DIN 6340)