

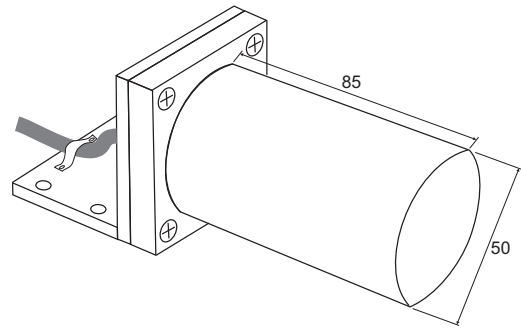
MI400

Inductive Proximity Switch

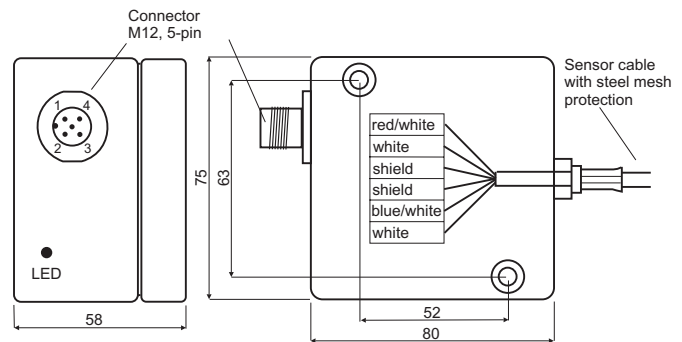


- Switching distances 15 or 20 mm
- Temperature range -15°C ... 350 °C (short-time up to 400 °C)

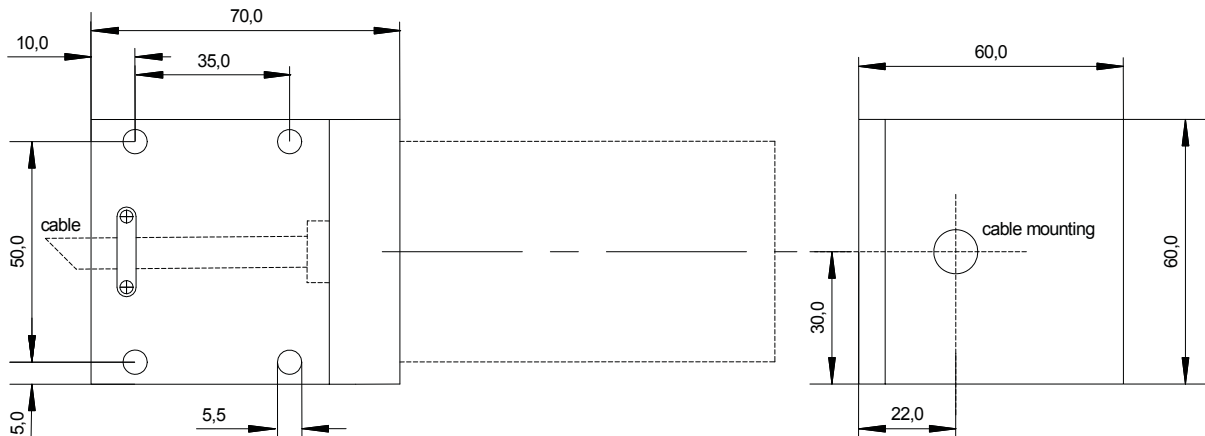
Sensor head:



Electronics:



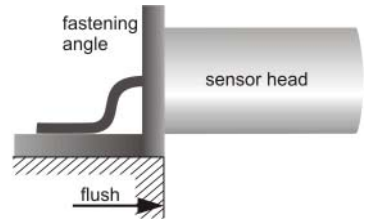
Fastening plate:



Inductive Proximity Switch MI400

Mounting of the sensor head

The proximity switch can be attached to a metallic base with 4 screws at the fastening plate.
 Minimum distance between sensor head and metal: 70 mm
 Minimum distance between sensor head and sensor head: 150 mm

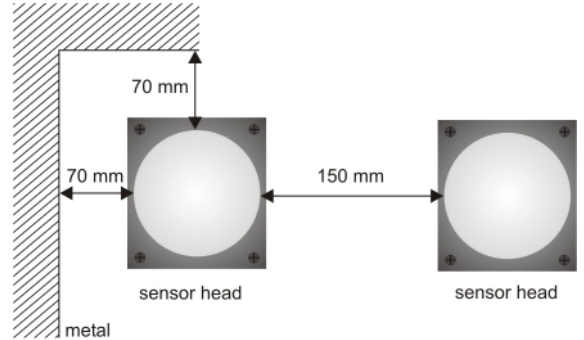


Sensor cable



The cable is only intended for **fixed laying**, it may not be squeezed or permanently pressed.
 The cable can be disconnected for mounting purposes, the length of the delivered cable may not be changed!

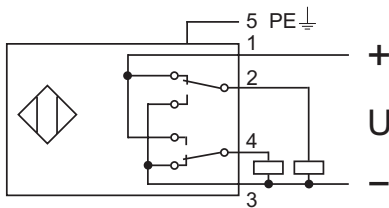
Sensor head and electronic module are co-ordinated, single parts may not be exchanged!
 The ceramic cylinder is sensitive to impact!



Specifications

Switching distance	NJ15: target min. 40x32 mm (St37) NJ20: target min. 50x50 mm (St37)
Supply voltage	nominal: 24 V / 40 mA work range: 18 - 28 V
Output current	$I_a / 20^\circ\text{C} = 60 \text{ mA}$ $I_a / 70^\circ\text{C} = 40 \text{ mA}$
Pin assignment	1: +24 V 2: Output NC 3: GND 4: Output NO 5: PE / casing, internally connected with GND (Pin 3)
LED	red, illuminated if initiated (metal identified)
Temperature range	Sensor: -15°C ... 350°C (short-time up to 400°C) Electronics: 0°C ... 50°C both: non-condensing
Protection class	Sensor: IP 60 Electronics: IP 64
Connector	M12, 5 pole
Cable length	5 m and 7 m
Weight	Sensor: 440 g Electronics: 360 g Sensor cable: 70 g/m

Connections



	output NC	output NO
no metal	high	low
metal identified	low	high