

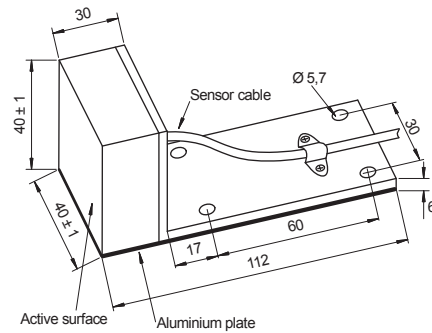
# MI250-B

## Inductive Proximity Switch

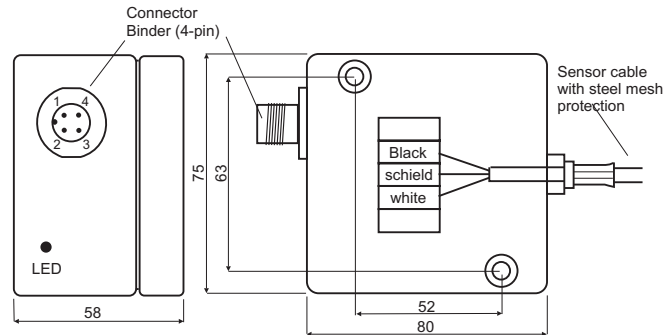


- Switching distance  
15, 20 or 25 mm
- Usable at temperatures up to 230°C  
(short time up to 250°C)
- Cable length up to 20 m

Sensor head:



Electronics:



### Mounting of the sensor head

The proximity switch can be attached to a metallic base with 4 screws at the fastening angle. The metallic base should be in line with the white teflon cover

### Minimum lateral distances

Sensor to sensor:

NJ 15: 30 mm      NJ 20: 30 mm      NJ 25: 50 mm

Sensor to metal:

NJ 15: 15 mm      NJ 20: 30 mm      NJ 25: 50 mm

### Minimum distances of opposite sensors

NJ 15: 45 mm      NJ 20: 90 mm      NJ 25: 120 mm

### Sensor cable

The cable can be disconnected for mounting purposes, the length of the delivered cable can not be changed! The cable is delivered with external steel mesh protection. Since the inside material is teflon, no sharp bending or permanent pressing may be applied!

### Please note

Sensor head and electronic module are co-ordinated, single parts may not be exchanged!

### Pin assignment of connector (fastened at the electronic module)

Pin	Binder	Tuchel (obsolete)
1	+24 V	+24 V
2	switching output NC	switching output NC
3	0 V	0 V
4	switching output NO	switching output NO
5	nonexistent	n.c.

### Specifications

Switch. distance *	NJ 15 = 15-16,5 mm NJ 20 = 20-22,5 mm NJ 25 = 24,5-26 mm
Work piece (St37)	NJ 15, NJ 20: min. 40 x 32 mm NJ 25: min. 60 x 60 mm
Supply voltage	12...30 VDC / 15...50 mA + I <sub>a</sub> (Ripple max. 3 V)
Switch. frequency	0...60 Hz
Switch. outputs	24 V / 200 mA, short-circuit proof
Output current	I <sub>a</sub> / 20 °C = 100 mA; I <sub>a</sub> / 70 °C = 50 mA
LED	red, illuminated if initiated
Temperature range	Sensor: -15°C...230°C (short time up to 250°C) Electronics: 0°C...70°C
Protection class	Sensor: IP 60, Electronics: IP 64
Connector	M12 (Binder), 4-pole
Mating connector	Binder No. 713 99 0430 10 04 (opt. available)
Cable length	3, 7, 10 or 20 m (NJ 25: max. 10 m)
Weight	Sensor: 160 g Electronics: 360 g Sensor cable: 70 g/m

\*) used sensor surface is 70%

### Connections

