

# M2-iLAN-2

## Laser Scanner

- Many fields of application due to modular construction
- Integrated controller
- LAN connection
- Low current consumption

Due to the modular construction system nearly all Scanner models can be used on different ambient conditions:

### Standard Model

Basic module for the use in dust-free environments at temperatures up to 40 °C

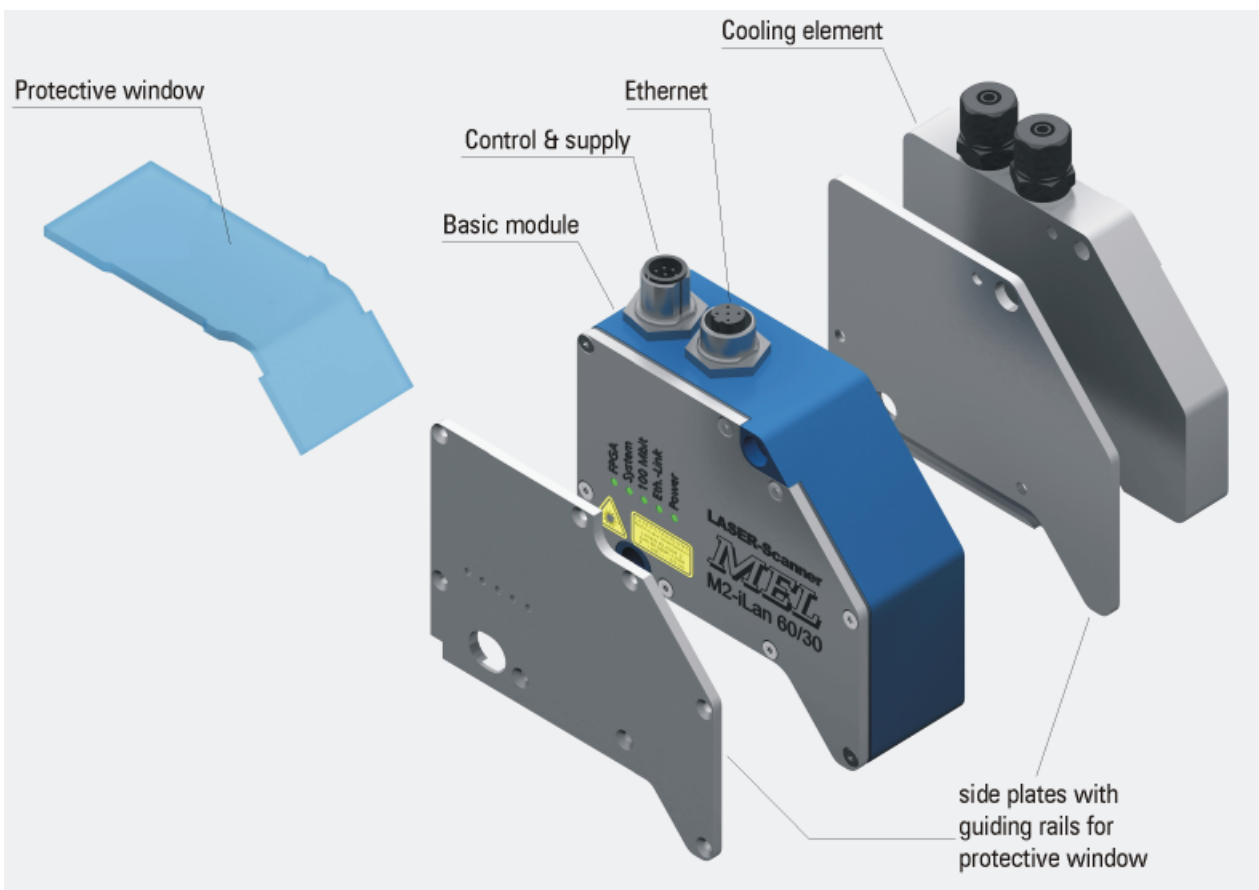
### Model -S with Protective Window

Basic module with protective window for the use in dusty environments

### Model -WS with Protective Window and Cooling

Basic module with protective window and cooling element for the use in dusty environments at high temperatures

Please specify the desired model when ordering!



DB-M2iLAN-2 3-03-E

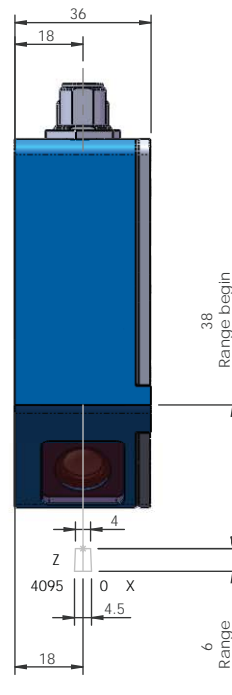
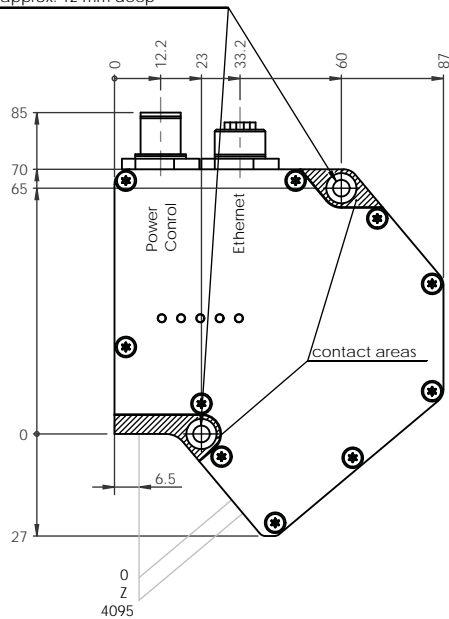
Breslauer Straße 2  
D-85386 Eching  
www.MELsensor.de

E-Mail: [info@MELsensor.de](mailto:info@MELsensor.de)  
Tel. +49 (0) 89 / 327 150-0  
Fax +49 (0) 89 / 319 20 23

**MEL**  
Intelligent Sensors & Measuring Systems

# Laser Scanner M2-iLAN-2-6/4

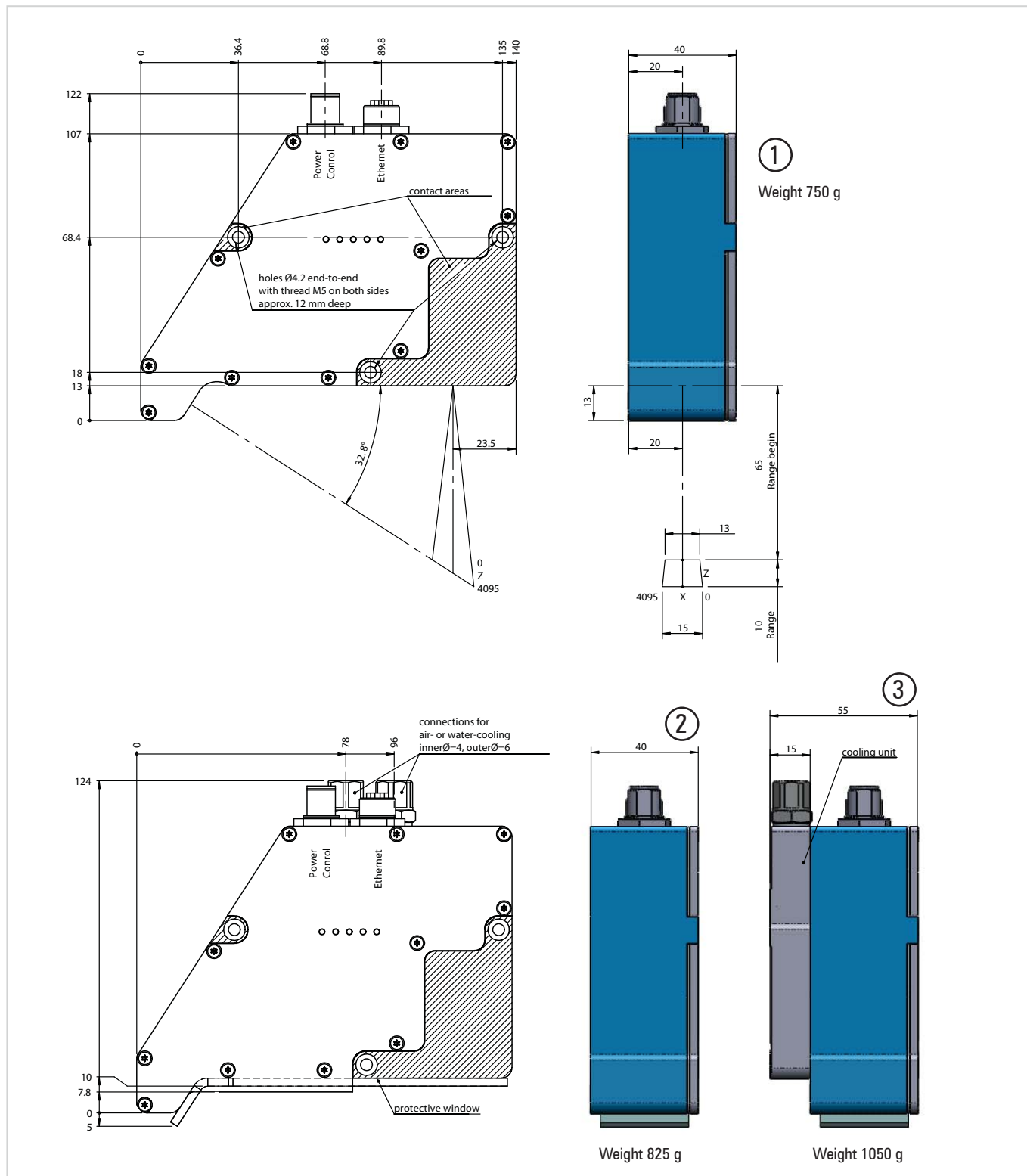
Holes  $\varnothing 4.2$  end-to-end  
with thread M5 on both sides  
approx. 12 mm deep



Weight 390 g

Order Number	Product Name
i530007	M2-iLAN-2-6/4

# Laser Scanner M2iLAN-2-10/13



Order Number	Product Name	Description
i530010	M2-iLAN-2-10/13	Standard Model (1)
i536010	M2-iLAN-2-S-10/13	Model with Protective Window (2)
i535010	M2-iLAN-2-WS-10/13	Model with Protective Window and Cooling Element (3)

Error and technical modification reserved

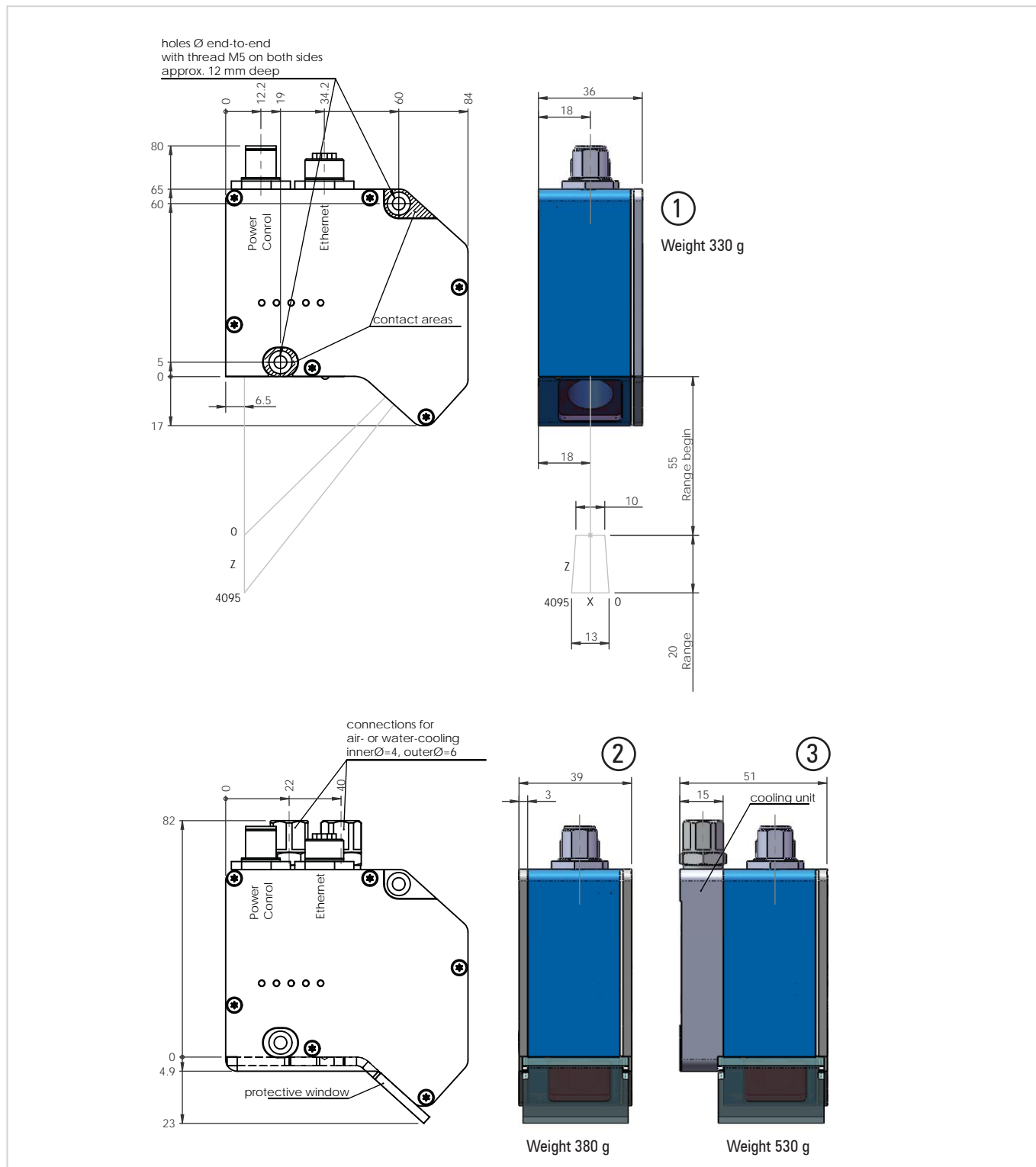
DB-M2iLAN-2\_3-03-E

Breslauer Straße 2  
D-85386 Eching  
www.MELsensor.de

E-Mail: info@MELsensor.de  
Tel. +49 (0) 89 / 327 150-0  
Fax +49 (0) 89 / 319 20 23

**MEL**  
Intelligent Sensors & Measuring Systems

# Laser Scanner M2-iLAN-2-20/10



Order Number	Product Name	Description
i530020	M2-iLAN-2-20/10	Standard Model (1)
i536020	M2-iLAN-2-S-20/10	Model with Protective Window (2)
i535020	M2-iLAN-2-WS-20/10	Model with Protective Window and Cooling Element (3)

Error and technical modification reserved

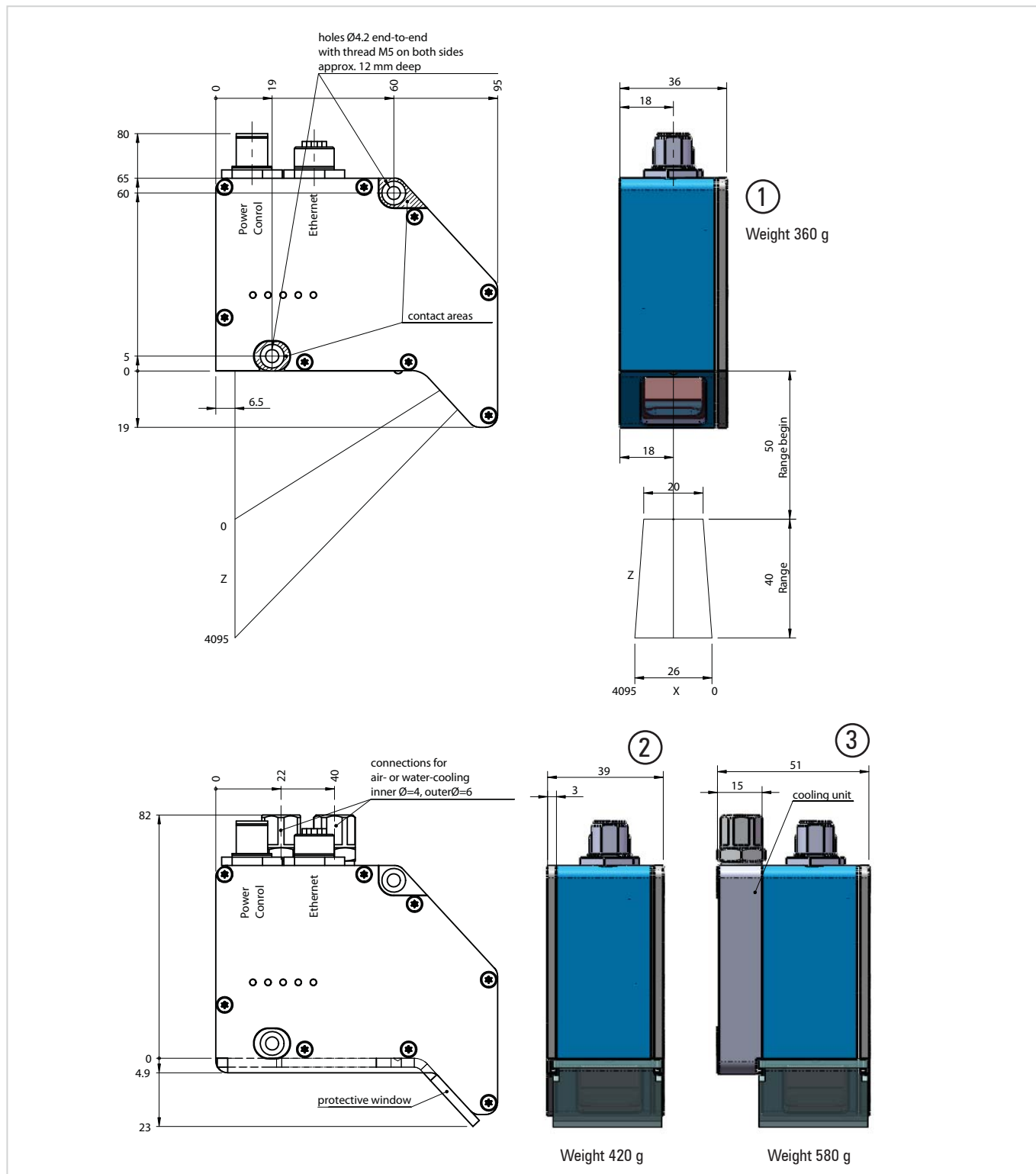
DB-M2iLAN-2\_3-03-E

Breslauer Straße 2  
 D-85386 Eching  
 www.MELsensor.de

E-Mail: info@MELsensor.de  
 Tel. +49 (0) 89 / 327 150-0  
 Fax +49 (0) 89 / 319 20 23



# Laser Scanner M2-iLAN-2-40/20



Order Number	Product Name	Description
i530040	M2-iLAN-2-40/20	Standard Model (1)
i536040	M2-iLAN-2-S-40/20	Model with Protective Window (2)
i535040	M2-iLAN-2-WS-40/20	Model with Protective Window and Cooling Element (3)

Error and technical modification reserved

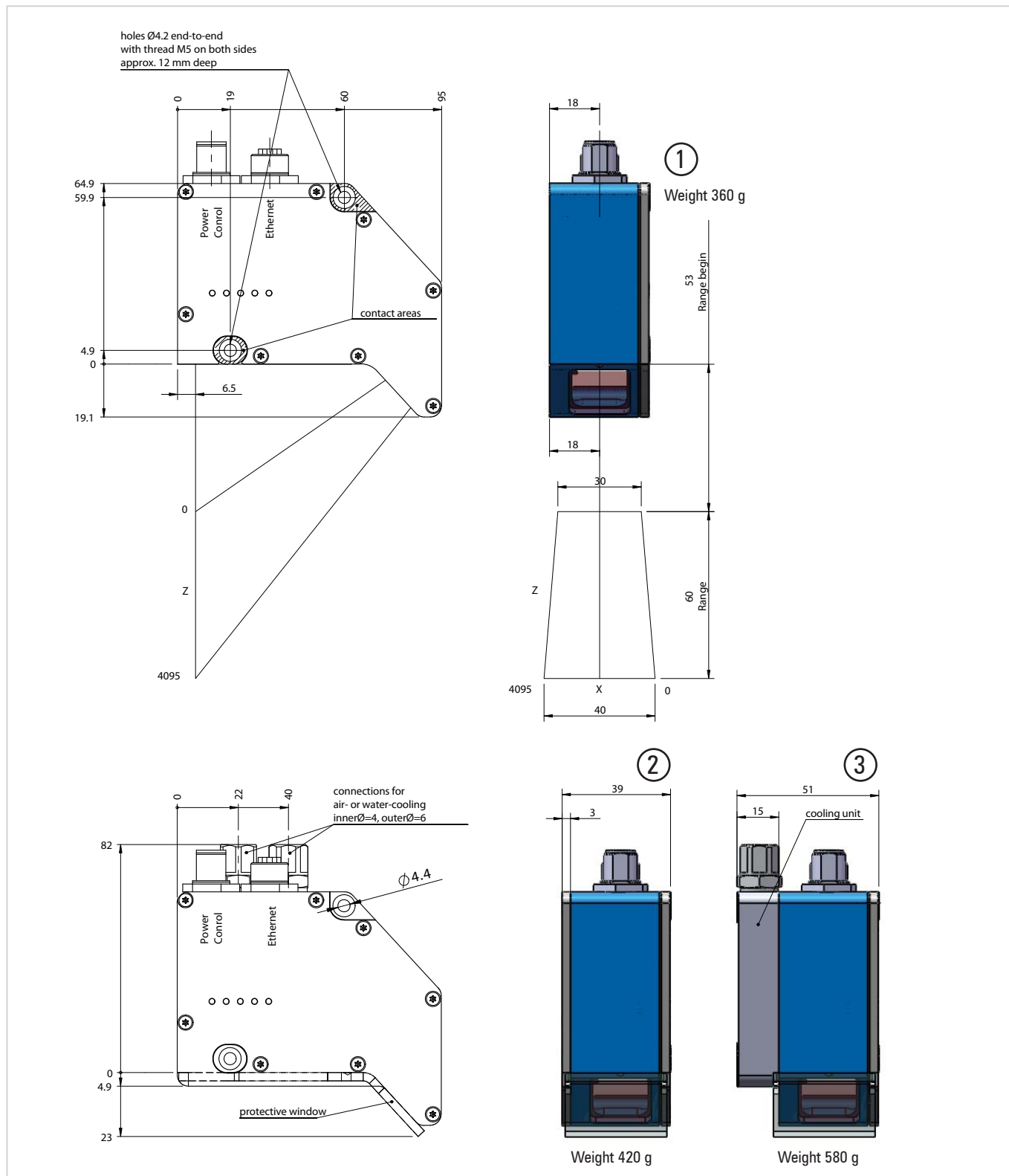
DB-M2iLAN\_2\_3-03-E

Breslauer Straße 2  
 D-85386 Eching  
 www.MELsensor.de

E-Mail: info@MELsensor.de  
 Tel. +49 (0) 89 / 327 150-0  
 Fax +49 (0) 89 / 319 20 23

**MEL**  
 Intelligent Sensors & Measuring Systems

# Laser Scanner M2-iLAN-2-60/30



Order Number	Product Name	Description
i530060	M2-iLAN-2-60/30	Standard Model (1)
i536060	M2-iLAN-2-S-60/30	Model with Protective Window (2)
i535060	M2-iLAN-2-WS-60/30	Model with Protective Window and Cooling Element (3)

Error and technical modification reserved

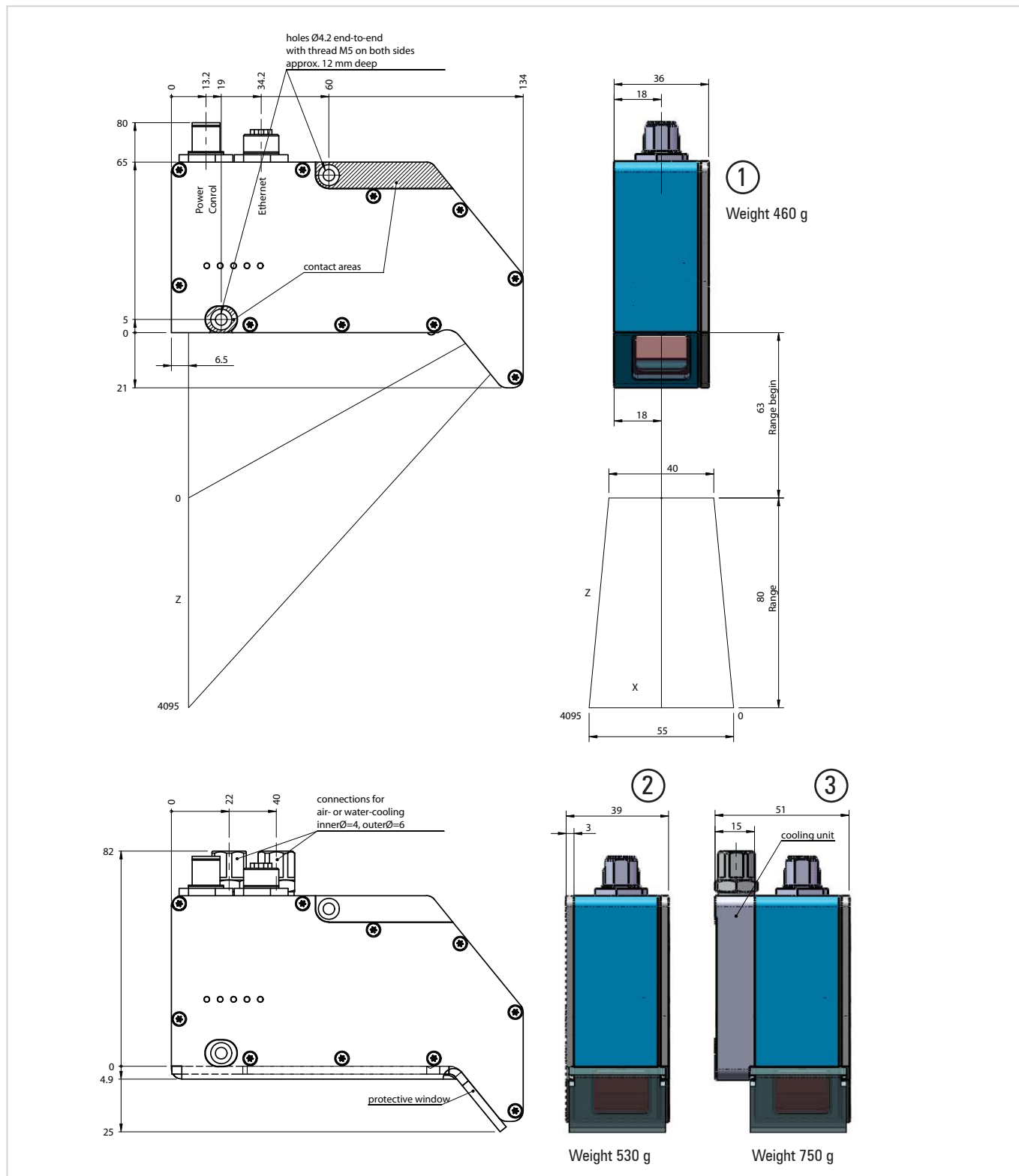
DB-M2iLAN\_2\_3-03-E

Breslauer Straße 2  
 D-85386 Eching  
 www.MELsensor.de

E-Mail: info@MELsensor.de  
 Tel. +49 (0) 89 / 327 150-0  
 Fax +49 (0) 89 / 319 20 23

**MEL**  
 Intelligent Sensors & Measuring Systems

# Laser Scanner M2-iLAN-2-80/40



Order Number	Product Name	Description
i530080	M2-iLAN-2-80/40	Standard Model (1)
i536080	M2-iLAN-2-S-80/40	Model with Protective Window (2)
i535080	M2-iLAN-2-WS-80/40	Model with Protective Window and Cooling Element (3)

Error and technical modification reserved

DB-M2iLAN-2\_3-03-E

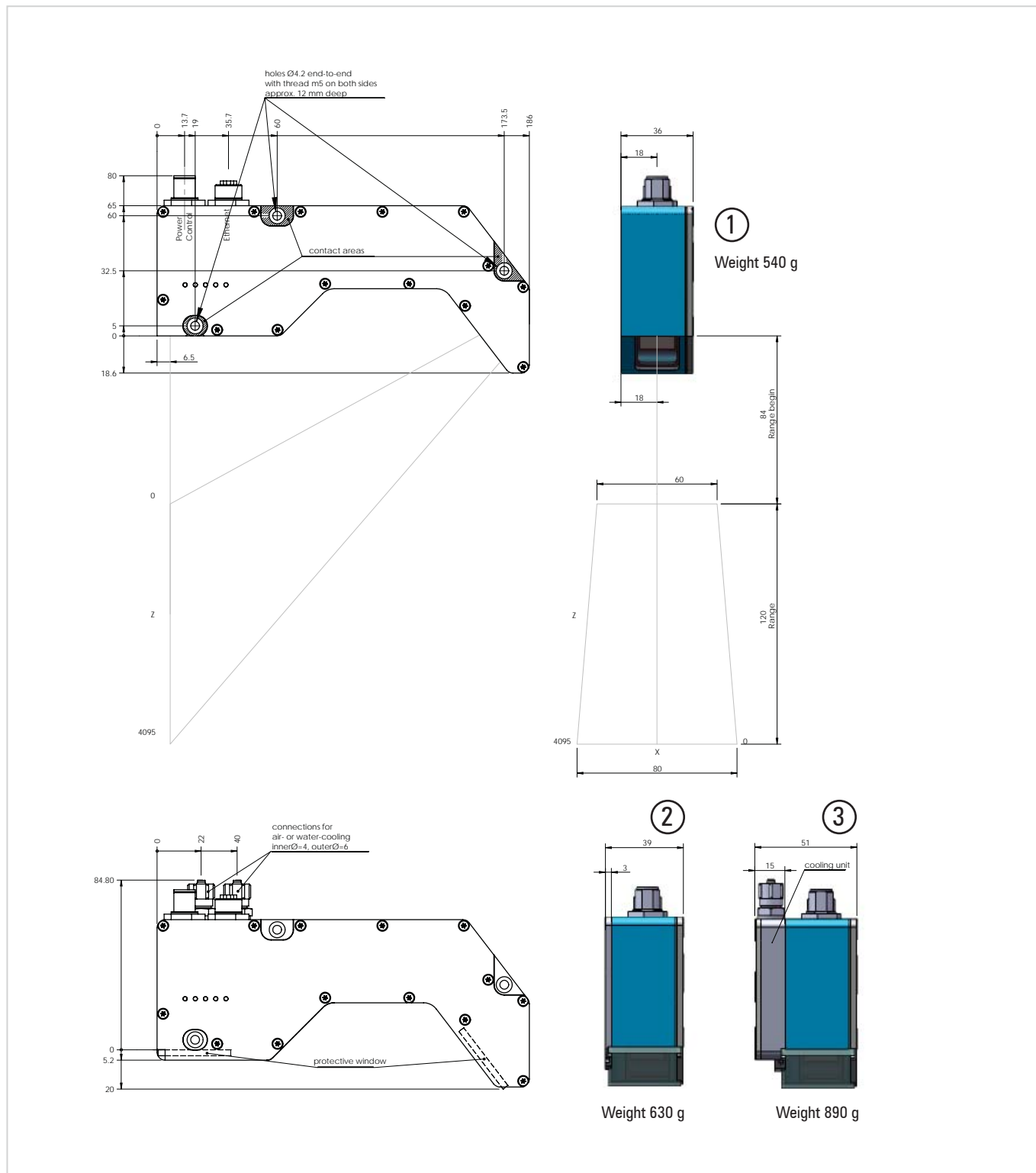
Breslauer Straße 2  
 D-85386 Eching  
 www.MELsensor.de

E-Mail: info@MELsensor.de  
 Tel. +49 (0) 89 / 327 150-0  
 Fax +49 (0) 89 / 319 20 23



Intelligent Sensors & Measuring Systems

# Laser Scanner M2-iLAN-2-120/60



Order Number	Product Name	Description
i530120	M2-iLAN-2-120/60	Standard Model (1)
i536120	M2-iLAN-2-S-120/60	Model with Protective Window (2)
i535120	M2-iLAN-2-WS-120/60	Model with Protective Window and Cooling Element (3)

Error and technical modification reserved

DB-M2iLAN\_2\_3-03-E

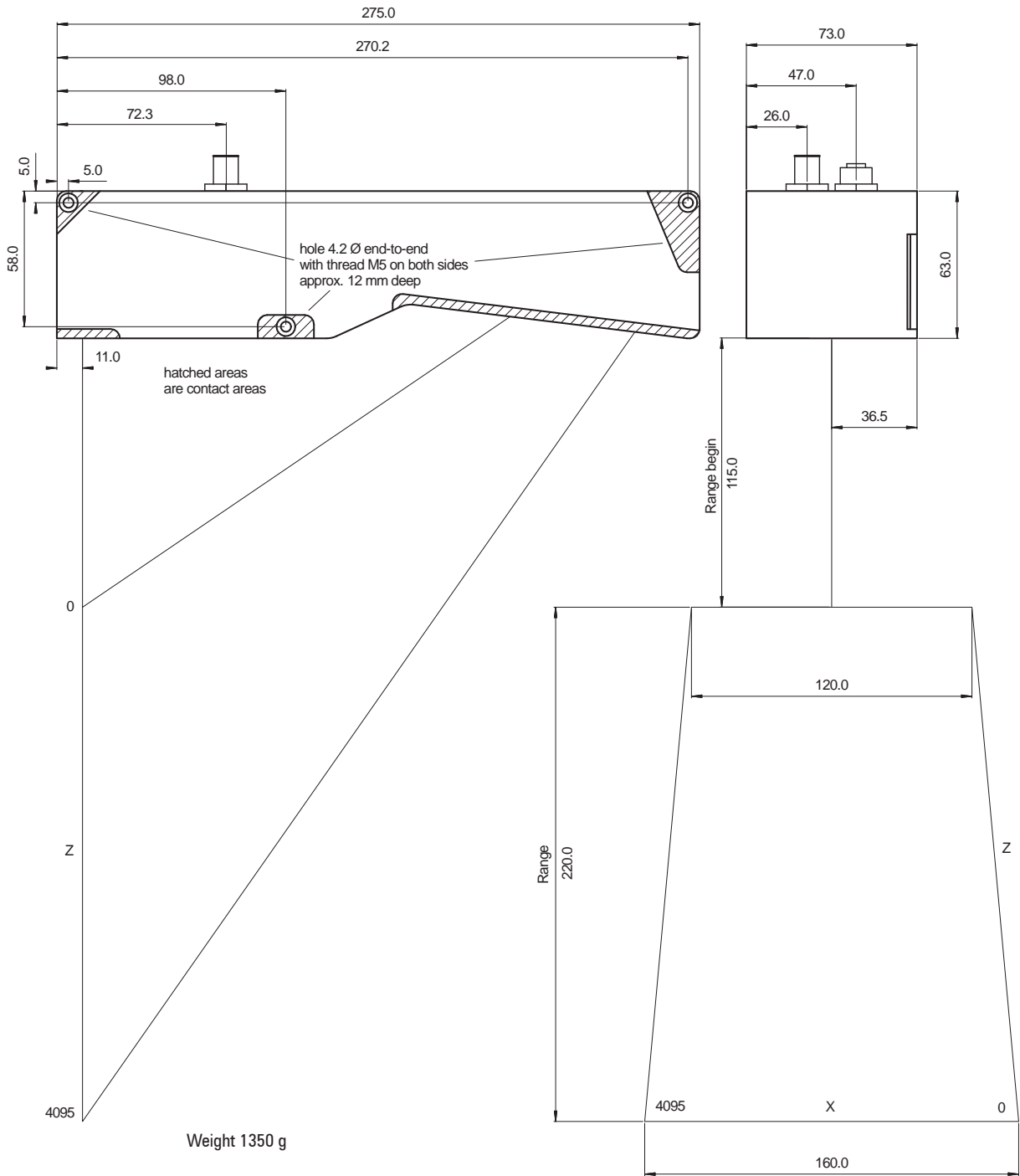
Breslauer Straße 2  
 D-85386 Eching  
 www.MELsensor.de

E-Mail: info@MELsensor.de  
 Tel. +49 (0) 89 / 327 150-0  
 Fax +49 (0) 89 / 319 20 23





# Laser Scanner M2-iLAN-2-220/120



Order Number	Product Name
i530220	M2-iLAN-2-220/120

Error and technical modification reserved

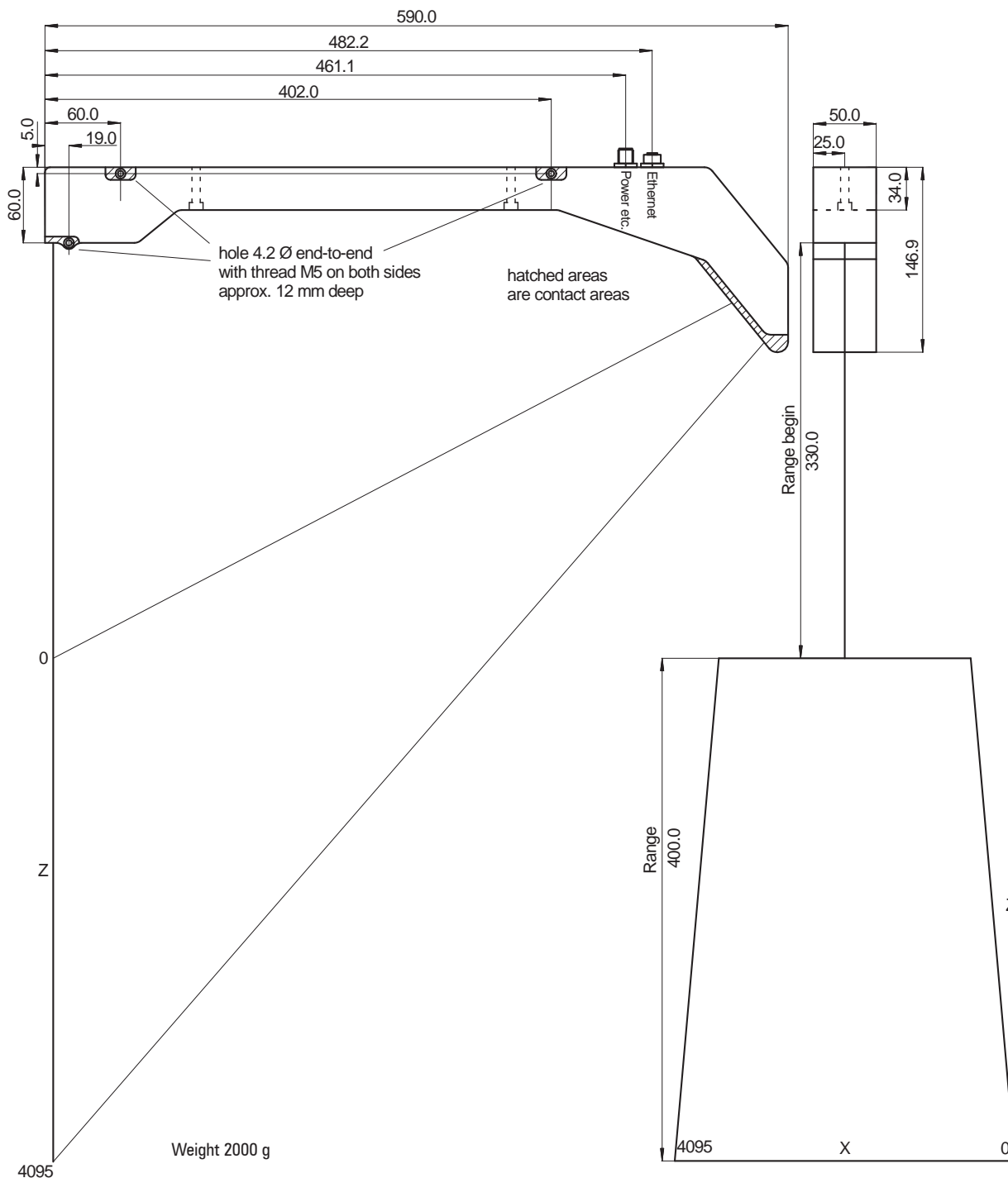
DB-M2iLAN-2\_3-03-E

Breslauer Straße 2  
D-85386 Eching  
www.MELsensor.de

E-Mail: info@MELsensor.de  
Tel. +49 (0) 89 / 327 150-0  
Fax +49 (0) 89 / 319 20 23

**MEL**  
Intelligent Sensors & Measuring Systems

# Laser Scanner M2-iLAN-2-400/200



Order Number	Product Name
i530400	M2-iLAN-2-400/200

Error and technical modification reserved

DB-M2iLAN-2\_3-03-E

Breslauer Straße 2  
D-85386 Eching  
www.MELsensor.de

E-Mail: info@MELsensor.de  
Tel. +49 (0) 89 / 327 150-0  
Fax +49 (0) 89 / 319 20 23

**MEL**  
Intelligent Sensors & Measuring Systems

## Specifications M2iLAN-2

M2-iLAN-2	6/4	10/13	20/10	40/20	60/30	80/40	120/60	220/120	400/200
Measuring Range Z [mm]	6	10	20	40	60	80	120	220	400
Begin of Measuring Range Z [mm]	38	65	55	50	53	63	84	115	330
Begin of Scan Range X [mm]	4	13	10	20	30	40	60	120	200
End of Scan Range X [mm]	4,5	15	13	26	40	55	80	160	280
Resolution Z * [mm]	0.003	0.01	0.02	0.02	0.035	0.045	0.06	0.11	0.2
Resolution X * [mm]	0.0035	0.01	0.01	0.02	0.03	0.04	0.07	0.14	0.25
Linearity	0.2 % of Measuring Range								
Laser Protection Class	2M; P < 1 mW								
Measuring Rate	100 Hz								
Specials	feeler gage, elapsed hour counter, serial number and sensor data readable								
Light Source	Laser, wave length 658 nm, red visible								
Ambient Light	5,000 Lux								
Operating Time	Laser-Diode: 50,000 h								
Max. Vibration	5 g up to 1 kHz								
Operating Temperature	0 °C ... +40 °C								
Storage Temperature	-20 °C ... +70 °C								
Humidity	< 90% RH								
Protection Class	IP 64								
Power Supply	8 - 30 V, P <sub>w</sub> = 15 W								
Measuring Surface	white to black, shiny, high mirroring								

\* Measurement on matt white, diffusely reflecting surface

### Pin Assignment:

Ethernet cable - connector M12, round, 4 pin, D-coded, female:

Pin	Signal	Comment
1	Tx+	Transmission Data Ethernet +
2	Rx+	Received Data Ethernet +
3	Tx-	Transmission Data Ethernet -
4	Rx-	Received Data Ethernet -
Shield		Connected with connector housing

Control cable - connector M12, round, 8 pin, A-coded, male:

Pin	Signal	Comment
1	8 - 30 V	
2	Input 1	Incremental Encoder A + B
3	GND	
4	Input 2	
5	Sync out	for Synchronization of Sensors
6	Sync in	
7	TxD	RS232 Diagnostic Interface
8	RxD	
Shield		

### Scope of Delivery

- Scanner head without cable and power supply (please order separately)
- Demo Software
- Manual

### Options

*please state for ordering*

- Option -S (with protective window)
- Option -W (with cooling element)
- Option -WS (with protective window and cooling element)
- 2 Scanners synchronized

### Accessories

*not included in delivery*

- Connection cable (different lengths and types)
- Ethernet cable (different lengths and types)
- Protective window (different types)
- Power supply