

# Inductive Sensor with Analog Output

## IW070RM65MG3

Part Number



### Technical Data

#### Inductive Data

Working Range	2...7 mm
Measuring Distance	4,5 mm
Measuring Range	5 mm
Correction Factors V2A/CuZn/Al	1,1/1,1/1,1
Mounting	non-flush
Mounting A/B/C/D in mm	18/18/21/15
Standard Target FE360, thickness 1 mm	21 × 21 mm
Linearity	< 1 %
Resolution	2 μm

#### Electrical Data

Supply Voltage	18...30 V DC
Current Consumption (U <sub>b</sub> = 24 V)	< 30 mA
Cut-Off Frequency	900 Hz
Temperature Drift (-10 °C < T <sub>u</sub> ≤ 50 °C)	5 %
Temperature Drift (50 °C < T <sub>u</sub> ≤ 70 °C)	10 %
Temperature Range	-10...70 °C
Analog Output	0...10 V
Current Load Voltage Output	< 1 mA
Resistant to Magnetic Fields	yes
Short Circuit Protection	yes
Reverse Polarity Protection	yes
Protection Class	III

#### Mechanical Data

Housing Material	CuZn, nickel-plated
Full Encapsulation	yes
Degree of Protection	IP67
Connection	M12 × 1; 4-pin

Analog Output



Connection Diagram No.

510

Suitable Connection Technology No.

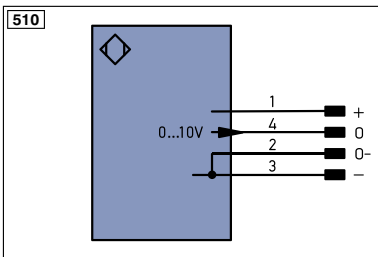
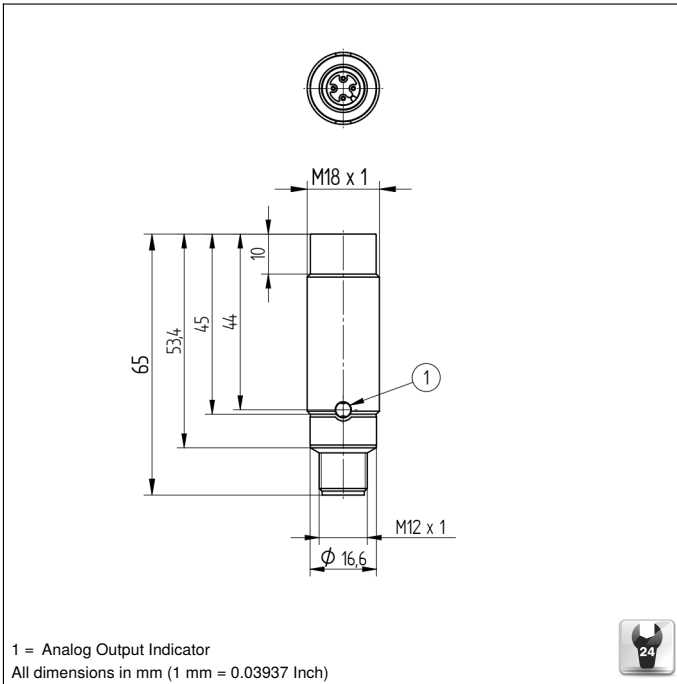
21

Suitable Mounting Technology No.

150

### Complementary Products

Analog Evaluation Unit AW02



Legend			
+	Supply Voltage +	PT	Platinum measuring resistor
-	Supply Voltage 0 V	nc	not connected
~	Supply Voltage (AC Voltage)	U	Test Input
A	Switching Output (NO)	Ū	Test Input inverted
Ā	Switching Output (NC)	W	Trigger Input
V	Contamination/Error Output (NO)	O	Analog Output
ȳ	Contamination/Error Output (NC)	O-	Ground for the Analog Output
E	Input (analog or digital)	BZ	Block Discharge
T	Teach Input	AWV	Valve Output
Z	Time Delay (activation)	a	Valve Control Output +
S	Shielding	b	Valve Control Output 0 V
RxD	Interface Receive Path	SY	Synchronization
TxD	Interface Send Path	E+	Receiver-Line
RDY	Ready	S+	Emitter-Line
GND	Ground	±	Grounding
CL	Clock	SrR	Switching Distance Reduction
E/A	Output/Input programmable	Rx+/-	Ethernet Receive Path
	IO-Link	Tx+/-	Ethernet Send Path
PoE	Power over Ethernet	Bx	Interfaces-Bus A(+)/B(-)
IN	Safety Input	La	Emitted Light disengageable
OSSD	Safety Output	Mag	Magnet activation
Signal	Signal Output	RES	Input confirmation
M	Maintenance	EDM	Contactur Monitoring
		ENa	Encoder A
		ENb	Encoder B
		AMin	Digital output MIN
		AMax	Digital output MAX
		Aok	Digital output OK
		SY In	Synchronization In
		SY OUT	Synchronization OUT
		Out	Brightness output
			<b>Wire Colors according to DIN IEC 757</b>
		BK	Black
		BN	Brown
		RD	Red
		OG	Orange
		YE	Yellow
		GN	Green
		BU	Blue
		VT	Violet
		GY	Grey
		WH	White
		PK	Pink
		GNYE	Green Yellow

### Mounting

