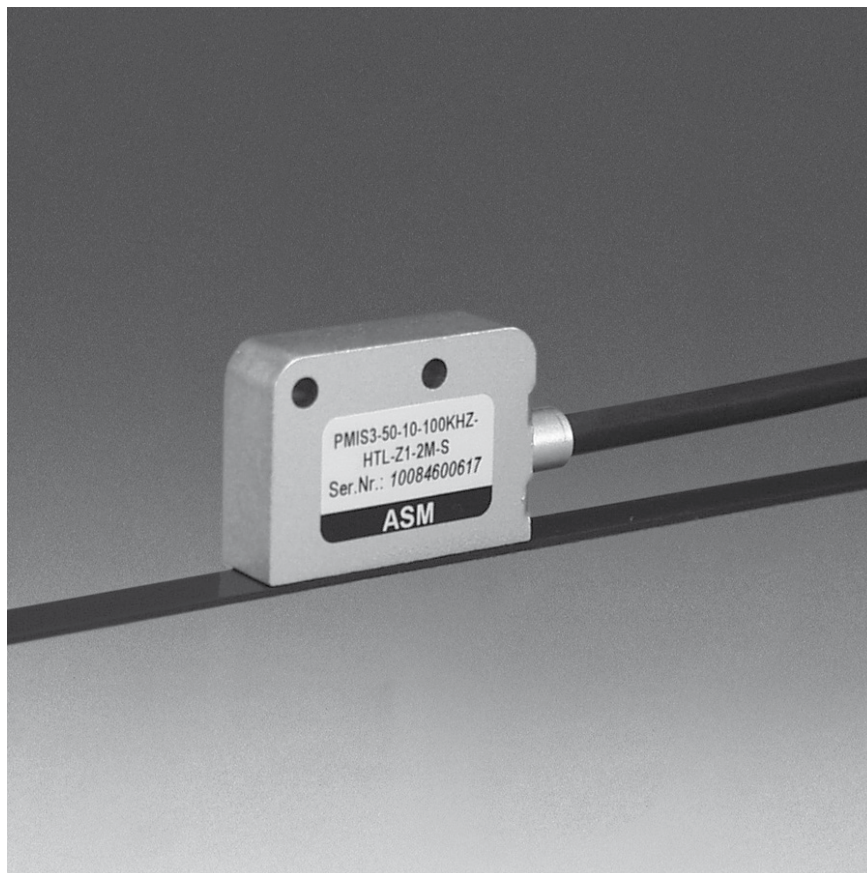




# POSIMAG® - PMIS3 / PMIS4

## Magnetic Scale Position Sensors

### Instruction Manual



**Please read carefully before installation and operation!**

---

<b>Contents</b>	<b>Safety instructions</b>	<b>3</b>
	<b>Description</b>	<b>4</b>
	<b>Cable mounting and bending radius</b>	<b>5</b>
	<b>Mounting</b>	<b>8</b>
	<b>Magnetic strip</b>	<b>9</b>
	<b>Precautions</b>	<b>9</b>
	<b>Magnetic strip in low profile</b>	<b>10</b>
	<b>Magnetic strip in high profile</b>	<b>11</b>
	<b>Magnet rings PMIR7/PMIR7N</b>	<b>12</b>
	<b>Sensor head</b>	<b>13</b>
	<b>Electrical installation</b>	<b>14</b>
	<b>Output specifications</b>	<b>15</b>
	<b>Option TTL/S</b>	<b>17</b>
	<b>Reference, end position marks</b>	<b>18</b>
	<b>Reliability characteristics</b>	<b>18</b>
	<b>Appendix</b>	
	<b>Declaration of conformity</b>	<b>19</b>

Safety  
instructions



**DANGER**

Do not use POSIMAG® position sensors in safety critical applications where malfunction or total failure of the sensor may cause danger for man or machine.

For safety related applications additional mechanisms (devices) are necessary to maintain safety and to avoid damage.

Disregard of this advice releases the manufacturer from product liability.

The sensor must be operated only within values specified in the catalog or datasheet.

Connection to power supply must be performed in accordance with safety instructions for electrical facilities and performed only by trained staff.

**Do not connect or disconnect the sensor under tension!**

Explanation of used  
safety signs and  
signal words



**DANGER**

**WARNING, Risk of Injury:**

Indicates a potentially hazardous situation, which, if not avoided, could result in serious injury or property damage.

**WARNING**

**WARNING, Risk of Personal Injury or Death:**

Indicates a situation that can result in serious personal injury or death if not properly avoided.

**CAUTION**

**WARNING, Risk of Personal Injury or Death:**

Indicates a situation that can result in moderate personal injury or death if not properly avoided.

**NOTICE**

**WARNING, Risk of Personal Injury:**

Indicates a situation that can result in minor personal injury if not properly avoided.

**WARNING, Risk of Property Damage:**

Indicates a situation that can result in minor to major property damage if not properly avoided.

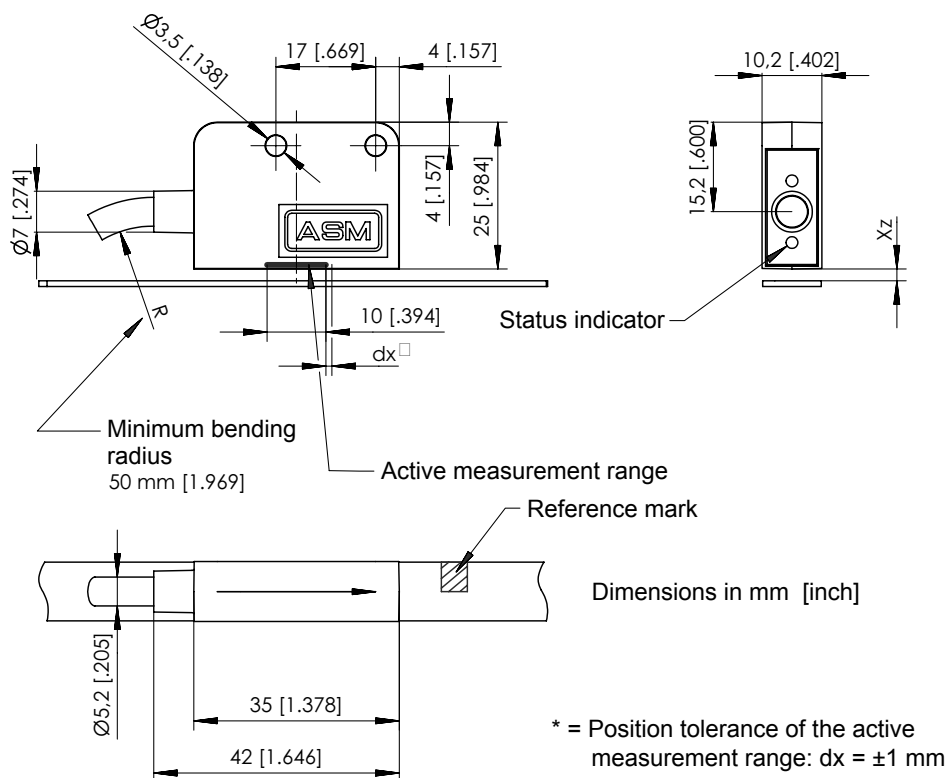
**Description**

**The sensor head**

all options. The first option after the model type is the magnetic period (example: PMIS3 - 50 - 25 - 50KHZ - HTL - Z0 - 2M - S; in that case the magnetic period is 5 mm). The orientation of the sensor head related to the magnetic strip must be observed (see mounting of the sensor head).

We recommend a quadrature counter (e.g. Agilent HCTL2000) for the exact evaluation of incremental signals. An edge-sensitive up/down counter is not suitable.

**PMIS3 & PMIB3**



**Bending radius**  
 (see page 5)

**The magnetic strip / magnetic wheel**

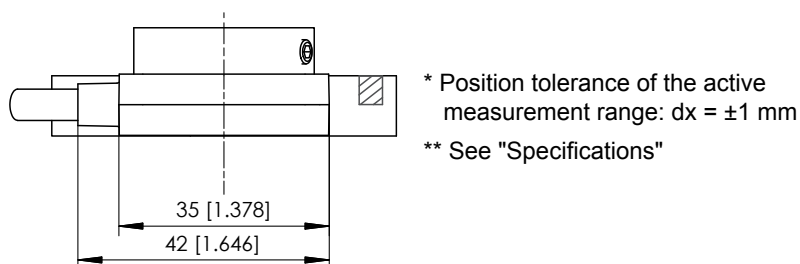
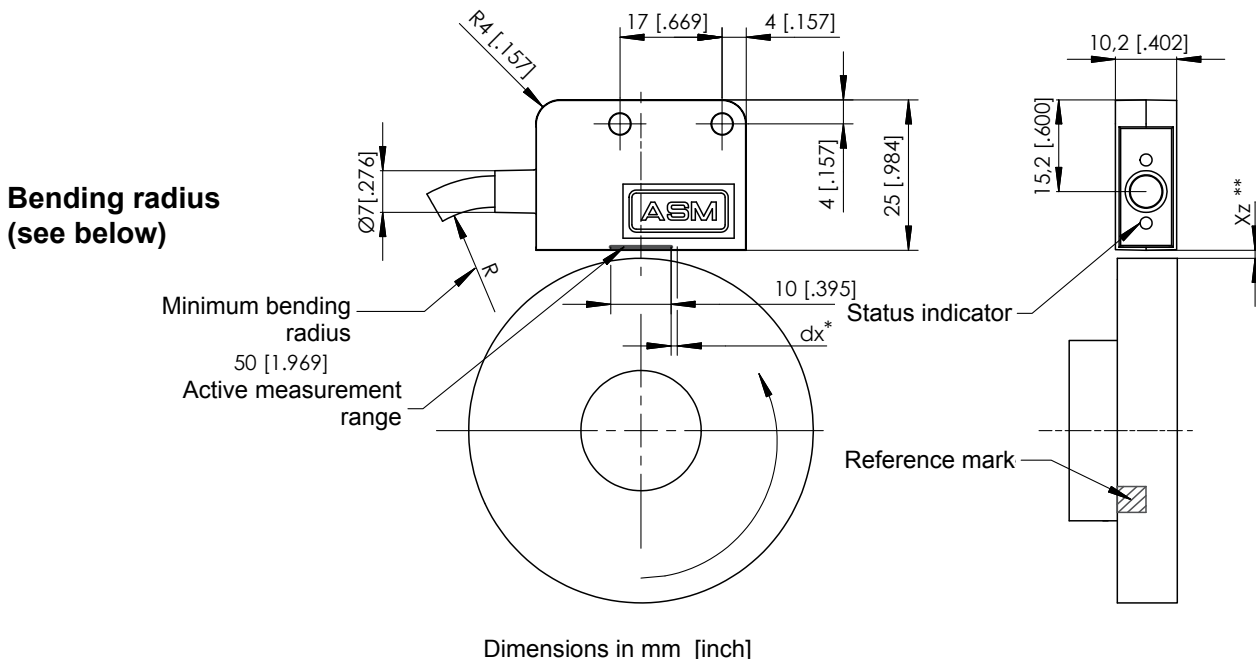
The first option of model name of the magnetic strip is also the magnetic period. Important: the magnetic period of the sensor head and the magnetic strip must be the same!

The magnetic strip should extend the measuring range by approx. 20-25mm at each end. A non-magnetic masking tape made of stainless steel is available as an accessory.

Chemical durability

Resistant against mineral oil, vegetable oil and methane alcohol.  
 Not resistant against solvents and acids.  
 Danger of corrosion in sea water.

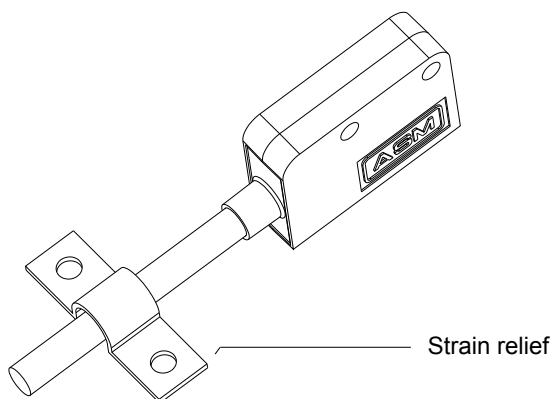
PMIS4 & PMIR7N  
PMIS4 & PMIR4



Cable mounting and bending radius

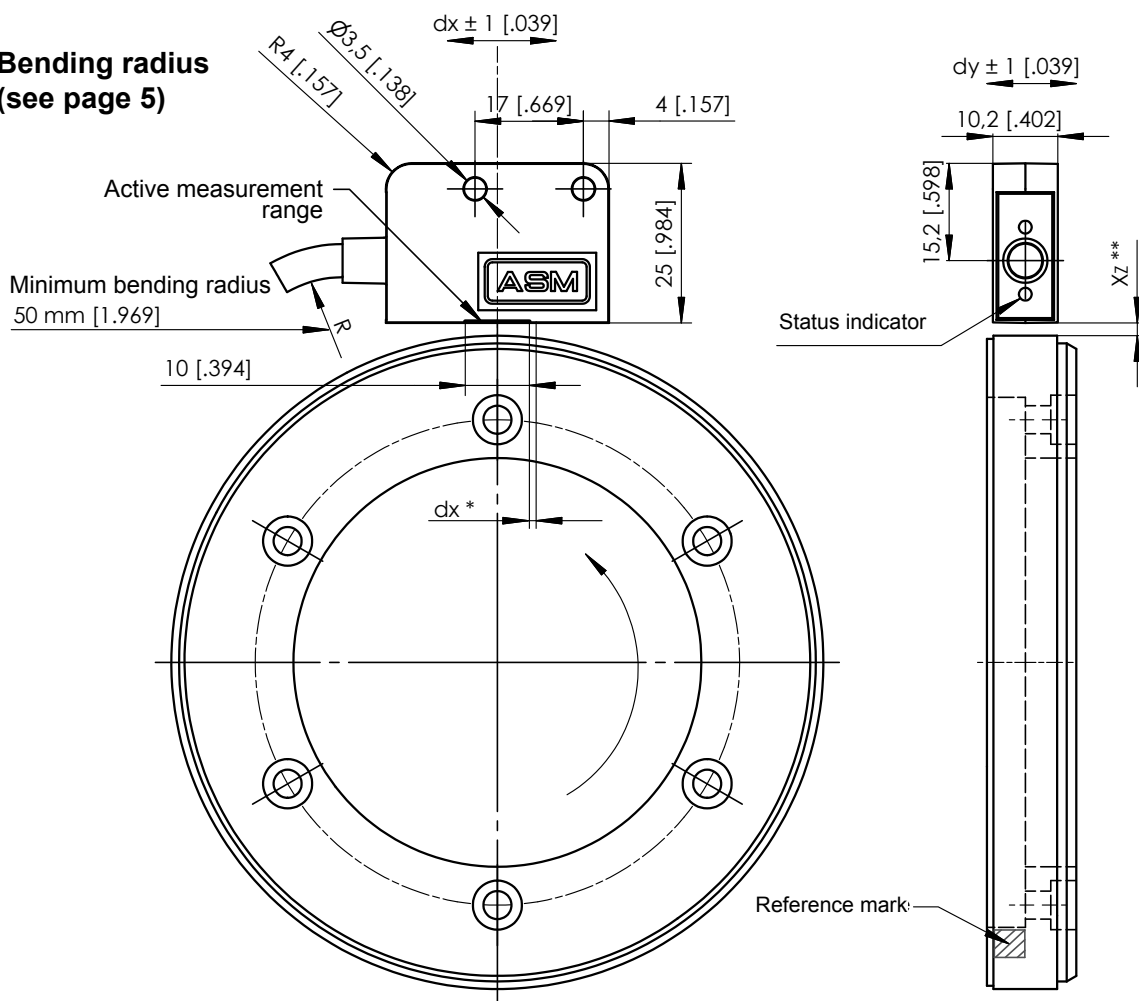
For all sensors with cable:

Cable diameter	Ø 5,2 mm	
Min. bending radius	in motion	not in motion
	10 x Ø, 10 million cycles	5 x Ø

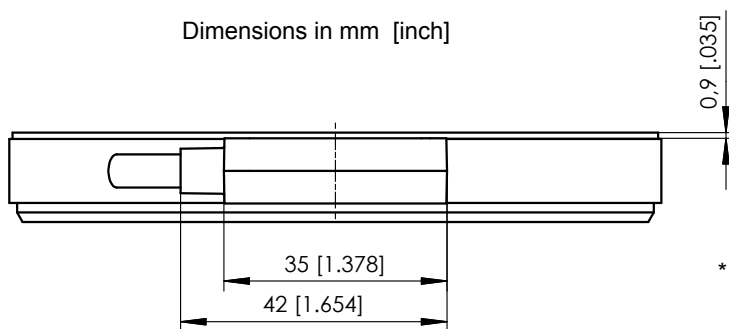


**PMIS4 & PMIR5**

**Bending radius**  
 (see page 5)

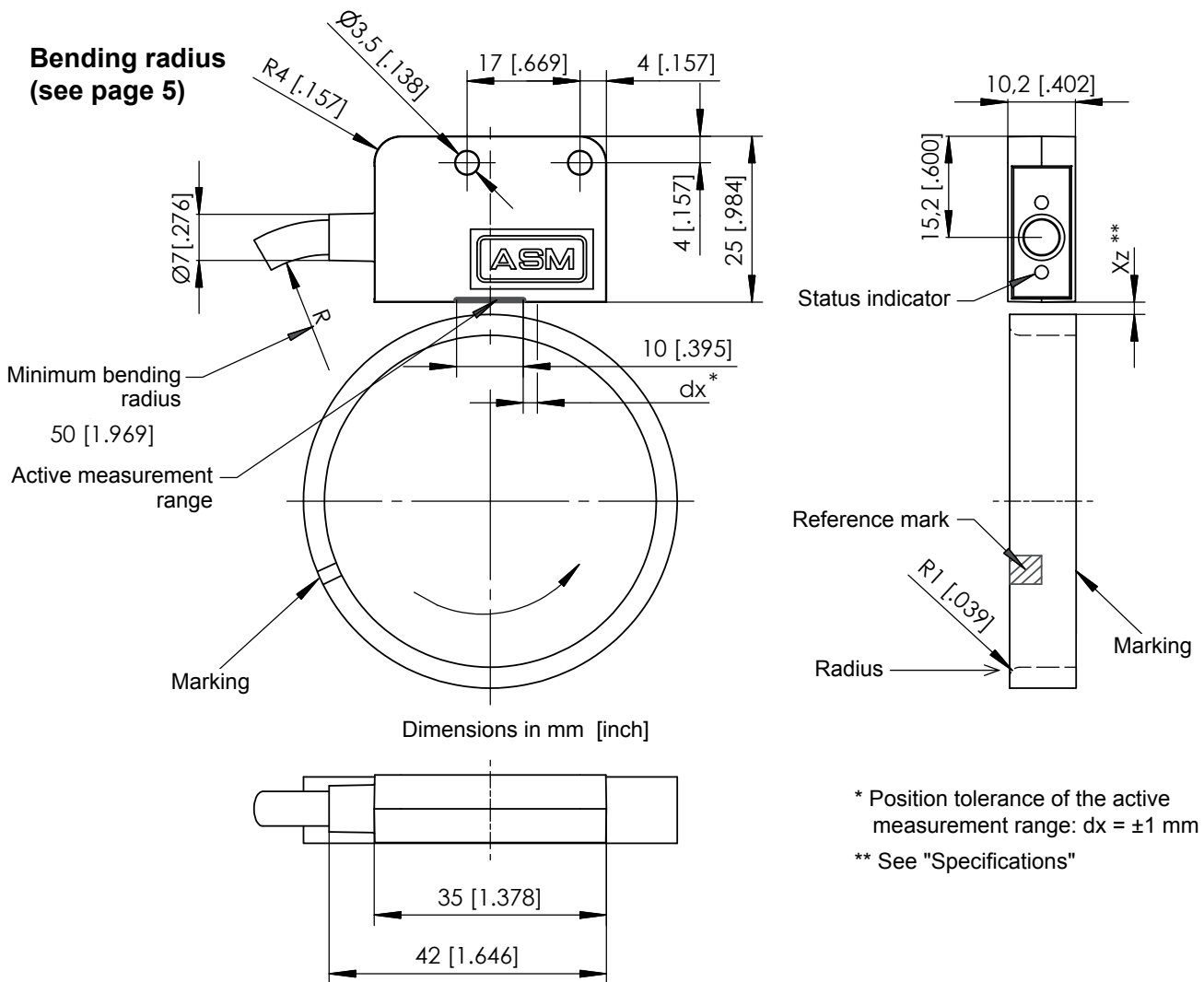


Dimensions in mm [inch]



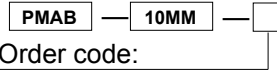
\* Position tolerance of the active measurement range:  $dx = \pm 1$  mm  
 \*\* See "Specifications"

PMIS4 & PMIR7



**Masking tape  
PMAB:**

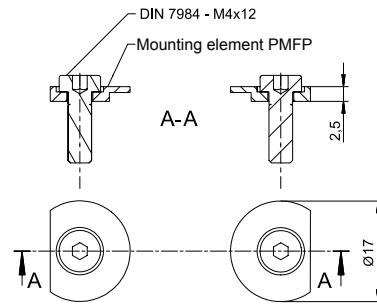
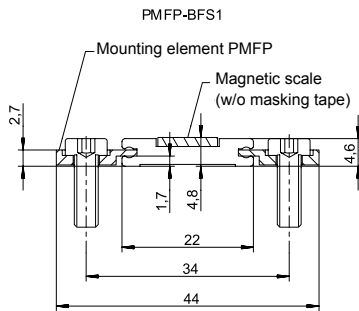
Masking tape made of stainless steel for  
POSIMAG® magnetic scale PMIB3, width  
10 mm, thickness 0.2 mm



Order code: \_\_\_\_\_

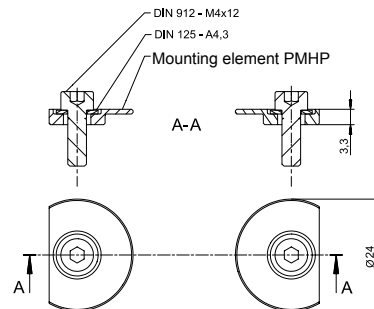
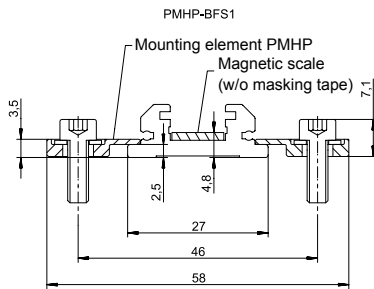
Length in mm

**Outline drawing  
flat profile  
PMFP**



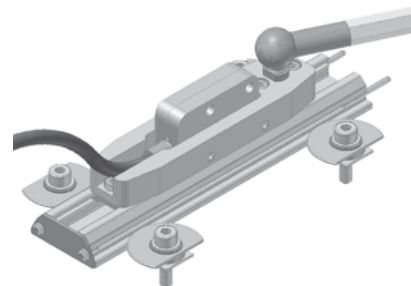
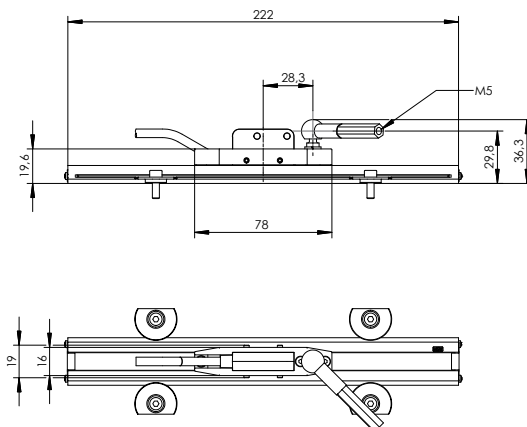
**Mounting set PMFP-BFS1**

**Outline drawing  
high profile  
PMHP**



**Mounting set PMHP-BFS1**

**Slider for high  
profile PMGW3**



Dimensions informative only. For guaranteed dimensions consult factory.



## Mounting



### Precautions

Magnetic strips and pole wheels will be damaged by strong magnetic fields.

#### **Keep a safe distance to magnetic clamps and other magnetic fields!**

The accuracy of magnetic strips and pole wheels will be reduced by low magnetic fields.

#### **Keep a safe distance to ferromagnetic materials!**

Especially magnetic strips and pole wheels may have **mutual interaction**. These parts shouldn't touch each other and must not be stored in direct contact.

### Magnetic strip

The magnetic strip must be mounted evenly on the mounting surface ensuring that it is perfectly level and free of bumps. It must also extend the measuring range by 20/25 mm at each end.

Note: In order to achieve an optimum adhesion, the mounting surface should first be cleaned of undesirable substances such as oil, grease, dust etc. The surface should also be dry, and contact pressure of the magnetic tape to the surface be as high as possible. The optimum temperature in dry rooms is between 20 and 30 °C.

To fix longer magnetic strips it is advisable to remove the protective plastic for a short length and fix one end onto the surface. Then align the rest of the magnetic strip and remove the protective film step by step while pressing the strip to the surface simultaneously.

#### Procedure:

1. Clean the mounting surface carefully
2. Remove the protective plastic film from the adhesive side of the magnetic strip
3. Mount the magnetic strip with the magnetically active (dark) side upwards
4. Clean the surface of the magnetic strip carefully
5. Remove the protective plastic film from the masking tape
6. Mount the masking tape onto the magnetic strip, exactly matching to the magnetic strip at both ends

### Mounting hint

The simple mounting method described above is suitable only for protected environments. The optimum protection is given by mounting the magnetic strip in a groove of a size that the magnetic strip can be embedded completely.

**Mounting**  
 (continuation)

**Magnetic strip in low profile**

Mounting the magnetic strip in the low profile PMFP is recommended if a suitable mounting surface (see previous page) is not available. The low profile is sold by the meter (max. length 3 m). Separate profile rails can be connected in any order using the connecting pins PMP-VS1. Some additions must be observed for a customer's pre-cut of the used magnetic strip and the masking tape PMAB:

Model of magnetic strip	Without reference/ end position marks	With reference marks (option R1, R2)	With end position marks (option E1, E2)
Pre-cut length of masking tape/ profile rail	Measurement length + 40 mm	Measurement length + 40 mm	Measurement length + 50 mm

Procedure:

1. Clean the mounting surface carefully
2. Connect low profile rails with connecting pins (for lengths more than 2850 mm)
3. Remove the protective plastic film from the adhesive side of the magnetic strip (possibly a shorter length first)
4. Mount the magnetic strip with the magnetically active (dark) side upwards (check the position of reference or end position mark(s) if existing)
5. Clean the surface of the magnetic strip carefully
6. Remove the protective plastic film from the masking tape (possibly a shorter length first)
7. Mount the masking tape onto the magnetic strip, exactly matching to the magnetic strip at both ends

**Mounting**  
 (continuation)

**Magnetic strip in high profile**

The use of the high profile PMHP in combination with the slider PMGW3 is recommended if a precise guiding of the sensor head above the magnetic strip (within the given tolerances) is not possible.  
 The high profile is sold by the meter (max. length 3 m). Separate profile rails can be connected in any order using the connecting pins PMP-VS1. The end parts PMHP-ES1 must be mounted on both ends. Some additions must be observed for a customer's pre-cut of the used magnetic strip and the masking tape PMAB:

<b>Ausführung Magnetband</b>	Without reference/ end position marks	With reference marks (option R1, R2)	With end position marks (option E1, E2)
<b>Pre-cut length of profile rail</b>	Measurement length + 120 mm	Measurement length + 120 mm	Measurement length + 130 mm

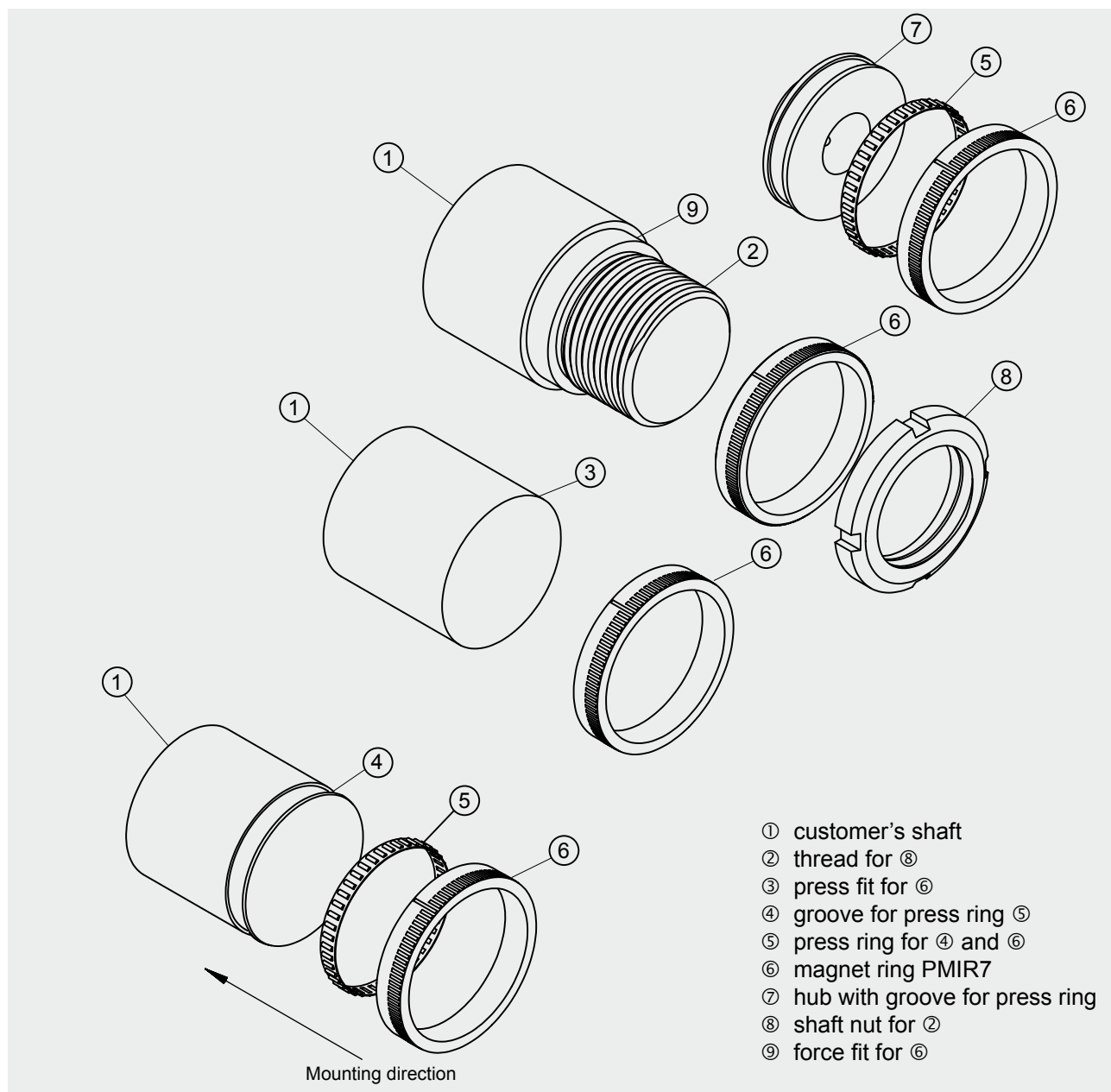
Procedure:

1. Clean the mounting surface carefully
2. Connect high profile rails with connecting pins (for lengths more than 2850 mm)
3. Remove the protective plastic film from the adhesive side of the magnetic strip (possibly a shorter length first)
4. Mount the magnetic strip with the magnetically active (dark) side upwards (check the position of reference or end position mark(s) if existing)
5. Clean the surface of the magnetic strip carefully
6. Remove the protective plastic film from the masking tape (possibly a shorter length)
7. Mount the masking tape onto the magnetic strip, exactly matching to the magnetic strip at both ends
8. Insert the slider into the high profile
9. Mount the end part on both ends of the profile

**How to mount the  
 PMIR7/PMIR7N  
 magnet rings**

The PMIR7/PMIR7N magnet rings can be mounted in several ways on the customer's shaft resp. hub:

- press ring
- press fit
- bonding
- shaft nut



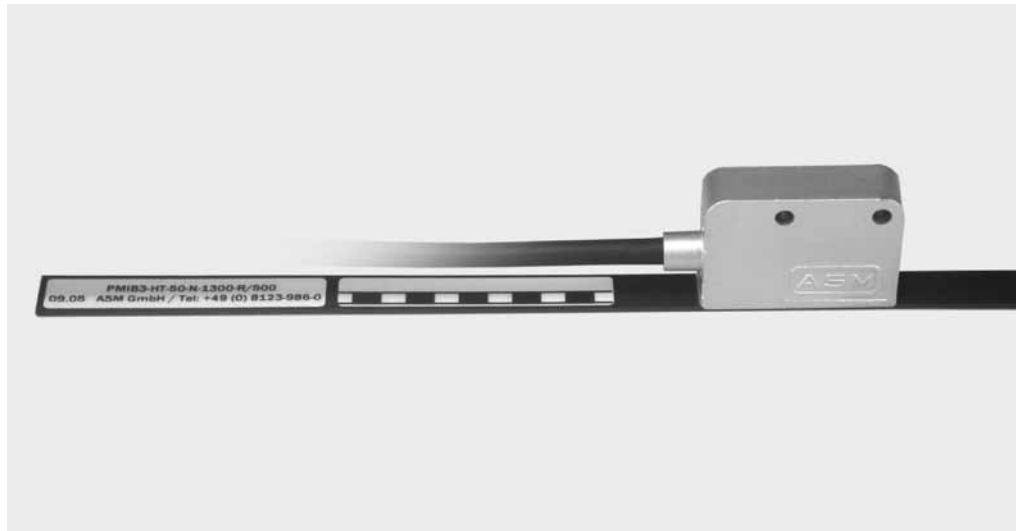
**Mounting**  
(continuation)

**Sensor head**

Mount the sensor head with two screws M3 through the mounting holes 3,5 mm dia.).

Secure the cable so that there is no risk of damage by cable tension or other machine parts. Use protecting hose and/or cord grip if necessary.

Check for the correct orientation of the sensor head (refer to the picture below).



The distance between sensor head and magnetic strip (without masking tape should be 0,1 ... 0,8 mm for a magnetic period of 2 mm resp. 0,1 ... 2 mm for a magnetic period of 5 mm (refer to data sheet). The sensor head must not touch the magnetic strip.

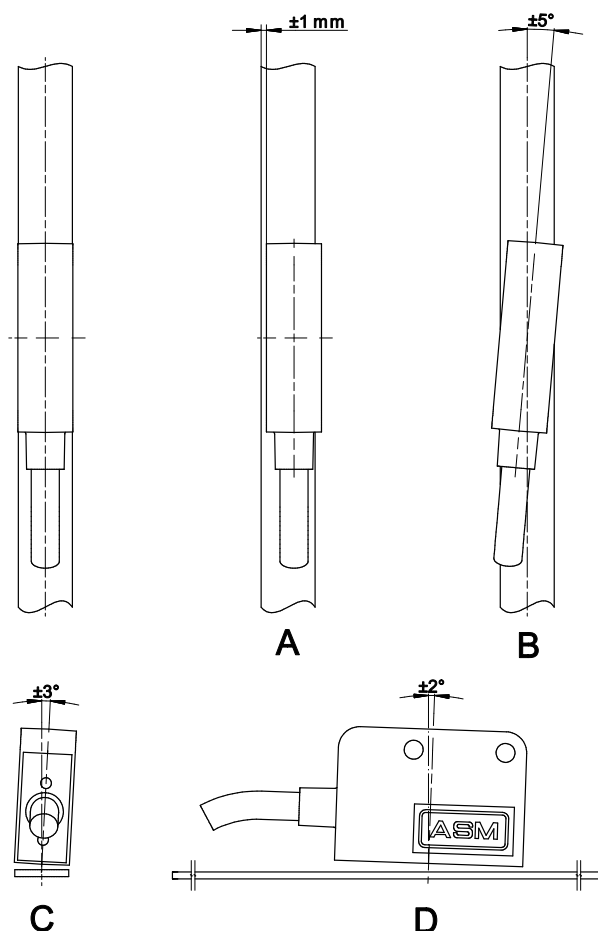
The status output signal and the status indicator are activated if the allowable maximal distance or the maximum velocity have been exceeded. The velocity tolerance results from the maximal pulse frequency and the resolution, both indicated at the type label.

$$V_{\max}[\text{m/s}] = (\text{resolution} [\mu\text{m}] \times 4 \times \text{pulse frequency} [\text{kHz}] / 1000) - 20\%$$

Example: Resolution 50  $\mu\text{m}$ , pulse frequency 50 kHz

$$V_{\max} = (50 \times 4 \times 50 / 1000) - 20\% = 8 \text{ m/s}$$

## Mounting (continuation)



## Electrical installation

### Informations about electromagnetic compatibility (EMC)

- Install the complete unit to meet the EMC standards. The installation environment can affect the function of the sensor head.
- Make a separate voltage supply available for the POSIMAG sensor head with consumers with high interference levels.
- Use shielded sensor cables.
- When sensor is mounted on moving machine parts connect them to protective ground.
- Keep sensor cable well separated from power wiring. Use separate conduit or ducts.

### Connection of the cable shield

- The housing of the sensor head is connected to the cable shield. Depending on the facility and the interference environment an isolated or a conductive mounting is necessary.
- **We recommend: connect the cable shield at cable inlet of switch cabinet to protective ground and mount the sensor head isolated.**
- A possible alternative connection is to use a conductive mounting of the sensor head and to connect the cable shield to the protective ground of the switch cabinet.

<b>Technical Data</b>	Outputs	Incremental encoder output with differential Push-Pull output, TTL/24V, TTL/RS-422 or HTL compatible							
	Excitation voltage	HTL, TTL/24V: 10 ... 30 V DC TTL/RS422: 5 V DC ±5 %							
	Excitation current	50 mA to 300 mA, depending on the pulse frequency, cable length and load							
	Magnetic period of the sensor	2 mm				5 mm			
	Guided spacing between sensor and magnetic tape (X <sub>z</sub> )	0.1 ... 0.8 mm				0.1 ... 2 mm			
	Linearity (sensor with magnetic strip PMIB3)	15 µm ±40 µm/m				30 µm ±40 µm/m			
	Linearity (with magnetic wheel PMIRX)	±0.1				±0.1			
	Repeatability	±1 digit				±1 digit			
	Resolution with ext. 4 times counting mode [µm]	5	10	20	50	10	25	50	125
	Max. velocity with f <sub>p</sub> =50 kHz [m/s] (20 kHz: x 0.4; 10 kHz: x 0.2)	0.8	1.6	3.2	8	1.6	4	8	20
	Max. pulse frequency f <sub>p</sub>	50 kHz, 20 kHz, 10 kHz (standard 50 kHz)							
	Output signals	A, $\bar{A}$ , B, $\bar{B}$ , zero pulse Z, $\bar{Z}$ , end position signal E, $\bar{E}$ , status signal ERR (only with HTL output, single ended)							



A POSIMAG® measuring system consists of the sensor head PMIS3 and the magnetic tape PMIB3 with the same magnetic period. The subsequent counting device must be able to process the specified maximum pulse frequency of the sensor.

<b>Output signals</b>	Saturation voltage	$U_H, U_L = 0.2 \text{ V}$ $U_H, U_L = 0.4 \text{ V}$ $C_{\text{Last}} < 10 \text{ nF}$	$I_{\text{out}} = \pm 10 \text{ mA}$ $I_{\text{out}} = \pm 30 \text{ mA}$	$(U_H = U_B - U_{\text{out}})$
	Short circuit current	$I_{\text{SL}}, I_{\text{SH}} < 800 \text{ mA}$ $I_{\text{SL}}, I_{\text{SH}} < 90 \text{ mA}$		$(U_H, U_L = 0 \text{ V})$ $(U_H, U_L = 1.5 \text{ V})$
	Rise time	$t_r, t_f < 200 \text{ ns}$ with cable length 1 m, 10 % ... 90 %		

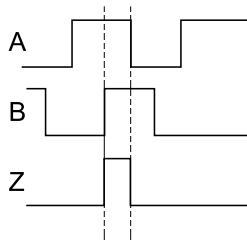
Load and pulse frequency in dependence on the cable length	Load/cable length	Load and pulse frequency f <sub>p</sub>		
		HTL single ended U <sub>B</sub> =24V	TTL/RS422 differential	TTL/24V U <sub>B</sub> =24V
Output current max.		50 mA	50 mA	10 mA
R <sub>Load</sub> min.		500 Ω	100 Ω	500 Ω
C <sub>Load</sub> max.		10 nF	10 nF	1 nF
	200 m	15 kHz	–	–
	100 m	25 kHz	100 kHz	–
	50 m	50 kHz	200 kHz	50 kHz
	10 m	100 kHz	300 kHz	100 kHz

The maximum length of the integrated sensor cable is for  
TTL: **3 m**  
HTL/TTL24V: **20 m**

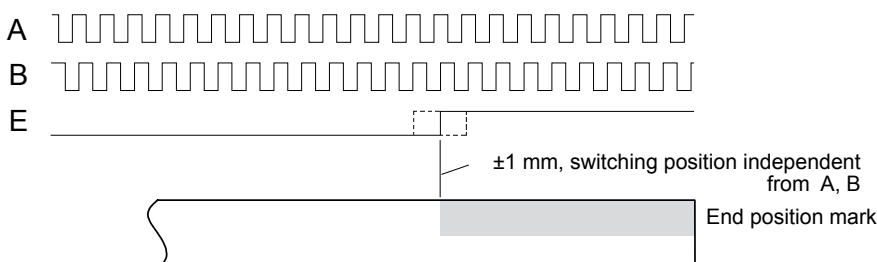
**Note:** For longer distances you must use **0.5 mm<sup>2</sup>** wire for Excitation+ and Excitation GND (see signal wiring next page). All signal wires must be **0.14 mm<sup>2</sup>** min.

## Output signals

### Option Z1 (reference pulse)



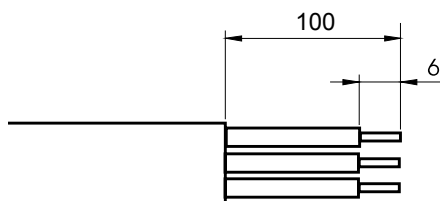
### Option Z2 (end position signal)



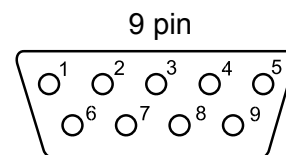
Signal wiring / connection	Signal name				Open cable end, cable color	Conn. D-Sub, 15 pin pin no.	Conn. D-Sub 9 pin pin no.	Conn. M12 8 pin pin no.	
	Option	Z0	Z1	Z2					Z3*
Excitation + ( $U_B$ )					White	1	1	1	
Excitation GND (0V)					Brown	2	5	2	
		B	B	B	B	Green	6	2	3
		A	A	A	A	Yellow	4	3	4
		$\bar{B}$	$\bar{B}$	$\bar{B}$	$\overline{ERR}$	Grey	7	7	5
		$\bar{A}$	$\bar{A}$	$\bar{A}$	-	Pink	5	6	6
		-	Z	$\bar{E}$	Z	Blue	8	4	7
		-	$\bar{Z}$	E	-	Red	9	8	8
Screen					Black	Housing	9		

- Z = Reference pulse
- E = End position signal
- $\overline{ERR}$  = Status signal, periodical approx. 16 Hz, for side tracking and velocity errors
- \* = Status signal  $\overline{ERR}$  available only with HTL (single ended) output

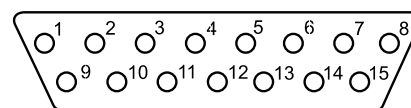
**Note:** Unused wires are connected inside the sensor head. Do not connect unused wires to each other or to supply or ground potential. Isolate and secure unused wires at switch cabinet terminal.



Dimensions cable output



Connector D-Sub (Pin)  
View to connector pins



15 pin



**Option TTL/S**

Connection diagram for sensors having excitation sense line.

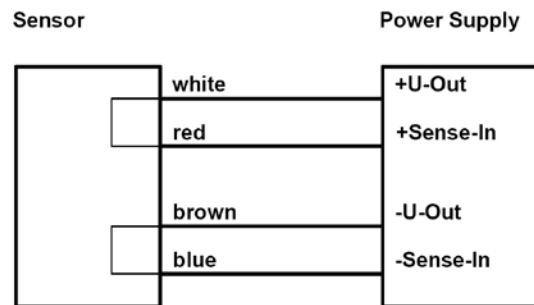
Signal wiring / connection	Signal name	Wire color
	Excitation +	White
	Excitation GND	Brown
	Excitation+_sense	Red
	GND_sense	Blue
	B	Green
	$\bar{B}$	Grey
	A	Yellow
	$\bar{A}$	Pink

The signals EXCITATION+ and EXCITATION+\_SENSE as well as the signals GND and GND\_SENSE are connected in the sensor.

If cable length exceeds 3m excitation care has to be given for a supply voltage tolerance  $5V \pm 5\%$  at the sensor head.

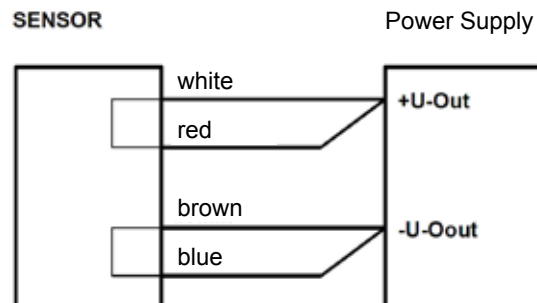
**Wiring option 1:**

Sense line EXCITATION+SENSE and GND\_SENSE are wired as feed back for power supply having sense input.

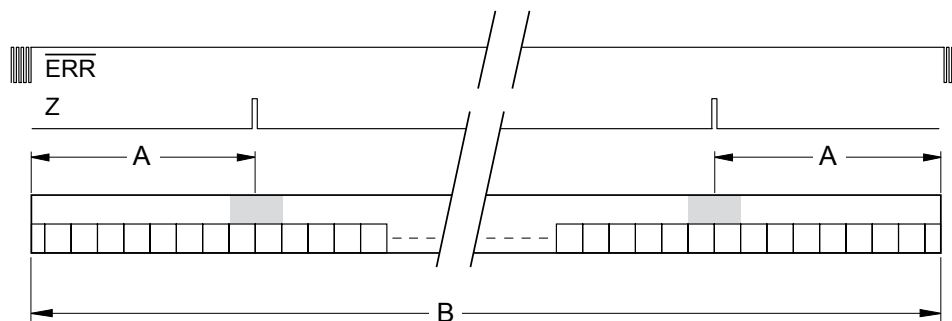


**Wiring option 2:**

Sense line EXCITATION+SENSE and GND\_SENSE are wired parallel to reduce supply line resistance.



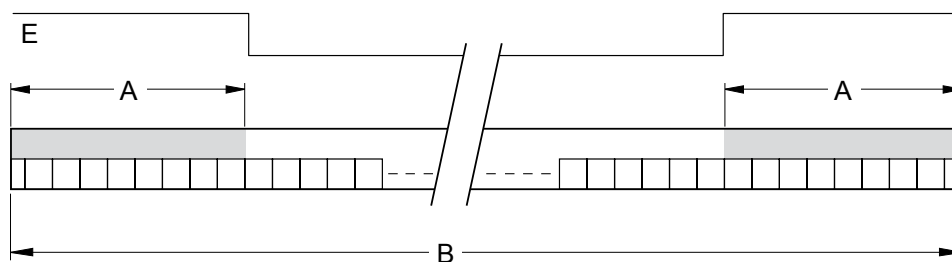
**Position of the reference marks (standard)**



Dimensions Reference	Magnetic period	Switching position A	Total length B
	2 mm	20.0 ± 1 mm	Measurement length + 40 mm
5 mm			
2 mm with high profile	60.0 ± 1 mm	Measurement length + 120 mm	
5 mm with high profile			

Additional reference marks every 4 mm (period 2 mm) resp. 10 mm (period 5 mm) from the left hand side.

**Position of the end position marks**



Dimensions End position	Magnetic period	Switching position A	Total length B
	2 mm	21.0 ± 1 mm	Measurement length + 50 mm
5 mm	22.5 ± 1 mm	Measurement length + 50 mm	
2 mm with high profile	61.0 ± 1 mm	Measurement length + 130 mm	
5 mm with high profile	22.5 ± 1 mm	Measurement length + 130 mm	

**Reliability characteristics**

<b>Characteristics PMIS3/PMIS4</b>	Failure rate ( $\lambda_F$ )	298 Fit [1 x 10 <sup>-9</sup> /h]
	MTBF (1/ $\lambda_F$ )	380 years
	Service life	20 years
<b>PMIR7/PMIR7N</b>	Service life	15 years
<b>PMIB3</b>	Service life	15 years

Life time calculation according to MIL-HDBK-217 FN2  
Environment: T = 40 °C, ground equipment

<b>Cable specification</b>	Halogen free flexible cable 12FCF11Y, 8 x 0,14sqmm TPE, stranded, shielded Outer jacket polyurethan (PUR), diameter 5,2+/-0,2mm according to UL 20233, CSA, drag chain compatible bending radius 10 x diameter, 10 million cycles, bending radius fixed installation 5 x diameter
----------------------------	--

## EU Declaration of Conformity



We: ASM GmbH  
Am Bleichbach 18 - 22  
85452 Moosinning  
Germany

declare under our sole responsibility that the product

**Name:** Position sensor  
**Model:** PMIS3, PMIS4  
**Options:** - HTL, - TTL, - TTL24V

to which this declaration relates is in conformity with the following standards or other normative documents:

**Directives:** 2014/30/EU (EMC)

**Standards:** EN 61326-1:2013 (EMC)

Moosinning, 22<sup>nd</sup> 02.2016

A handwritten signature in black ink, appearing to be 'Peter Wirth', written in a cursive style.

p.p. Peter Wirth  
Head of Development

---

**ASM GmbH Automation • Sensorik • Messtechnik**

Am Bleichbach 18-24

Telephone: +49 8123 986-0

Internet: [www.asm-sensor.de](http://www.asm-sensor.de)

E-Mail: [info@asm-sensor.de](mailto:info@asm-sensor.de)

85452 Moosinning / Germany

Telefax: +49 8123 986-500

[www.asmsensors.com](http://www.asmsensors.com)

[info@asmsensors.com](mailto:info@asmsensors.com)

