



SP1D-250 SPECIFICATIONS

The SP1D, formerly known as the MC1, is a compact and waterproof six-axis sensor that is well-suited for applications such as underwater models and tow tanks. The body of the load cell is manufactured from heat treated 17-4 PH stainless steel, has mounting surfaces equipped with threaded holes, and features an integral, axial-exit cable.



Units: Capacity:

Dimensions(LxDia.)	82.55 x 25.4 mm		
Weight	0.0909 Kg.	Sensing elements	Strain gage bridge
Channels	Fx, Fy, Fz, Mx, My, Mz	Amplifier	Required
Body Material	Stainless Steel	Analog outputs	6 Channels
Temperature range	-17.78 to 51.67°C	Digital outputs	None
Excitation	10V maximum	Crosstalk	< 2% on all channels
Fx, Fy, Fz hysteresis	± 0.2% full scale output	Fx, Fy, Fz non-linearity	± 0.2% full scale output

Channel	Fx	Fy	Fz	Units	Mx	My	Mz	Units
Capacity	556	556	1112	N	5.6	5.6	5.6	N-m
Sensitivity	0.393	0.393	0.101	µv/v-N	31	31	31	µv/v-N-m
Natural frequency	-	-	-	Hz	-	-	-	Hz
Stiffness (X 105)	43.83	43.83	789	N/m	-	-	0.113	N-m/rad

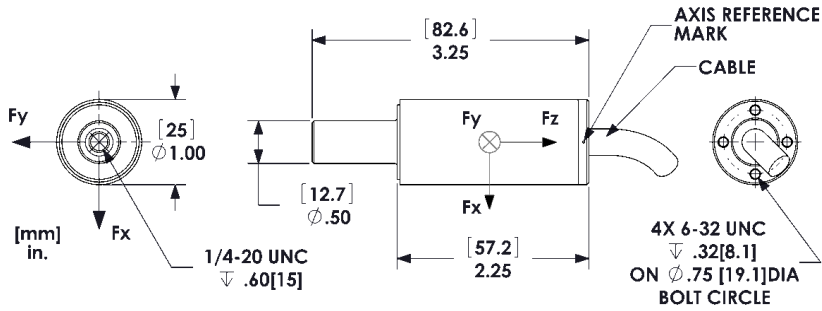
Resolution *To determine the resolution of your system, please use our [Output Calculator](#).*

Published specifications subject to change without notice.

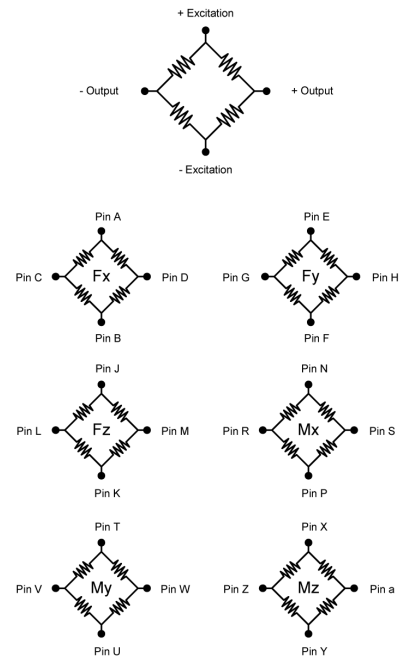
Last modified:2016-08-23

TECHNICAL DRAWINGS

Footprint Drawing



Electrical Drawing



Bridges F_x ; F_y ; F_z ; M_x ; M_y ; M_z = 350 ohms
Connector Type:
 Souriau 851-02E16-26P50-44

© Advanced Mechanical Technology, Inc.

176 Waltham Street, Watertown, MA 02472-4800 USA

1-617-926-6700