



MC8-10000 SPECIFICATIONS

The MC8 is a high-capacity, six-axis transducer designed to quantify loads up to 30,000 pounds. The instrument has eight inch square top and bottom plates manufactured from high strength 17-4 stainless steel. The center anodized aluminum shell is notched to allow 5/8" diameter bolts to pass through the 3/4-10 threaded mounting holes. This provides additional mounting possibilities. Elastomeric O-ring seals protect the strain gages and wiring. Conformal coating of the strain gages further insures long life and consistent, reliable performance.



Units: Capacity:

Dimensions (WxLxH)	203 x 203 x 203 mm		
Weight	36.36 Kg.	Sensing elements	Strain gage bridge
Channels	Fx, Fy, Fz, Mx, My, Mz	Amplifier	Required
Body Material	Stainless Steel	Analog outputs	6 Channels
Temperature range	-17.78 to 51.67°C	Digital outputs	None
Excitation	10V maximum	Crosstalk	< 2% on all channels
Fx, Fy, Fz hysteresis	± 0.2% full scale output	Fx, Fy, Fz non-linearity	± 0.2% full scale output

Channel	Fx	Fy	Fz	Units	Mx	My	Mz	Units
Capacity	22241	22241	44482	N	4517	4517	2258	N-m
Sensitivity	0.148	0.148	0.0315	µv/v-N	1.24	1.24	1.24	µv/v-N-m
Natural frequency	800	800	1200	Hz	-	-	-	Hz
Stiffness (X 105)	1052	1052	4383	N/m	-	-	-	N-m/rad

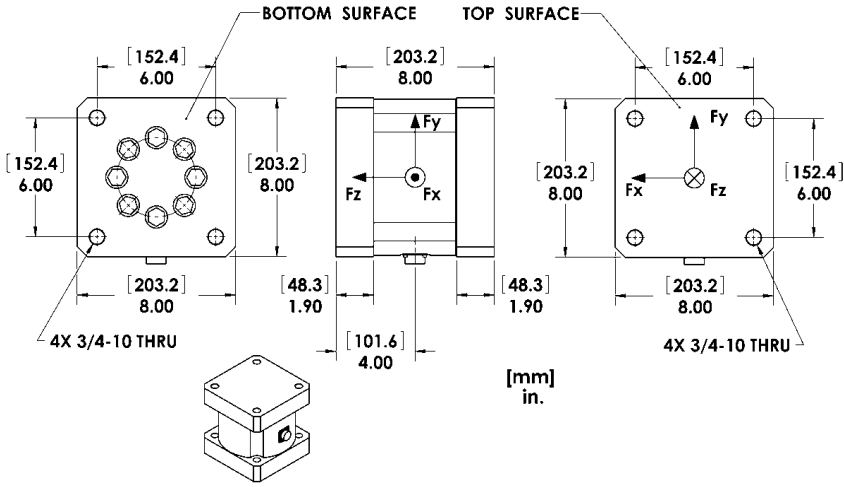
Resolution *To determine the resolution of your system, please use our [Output Calculator](#).*

Published specifications subject to change without notice.

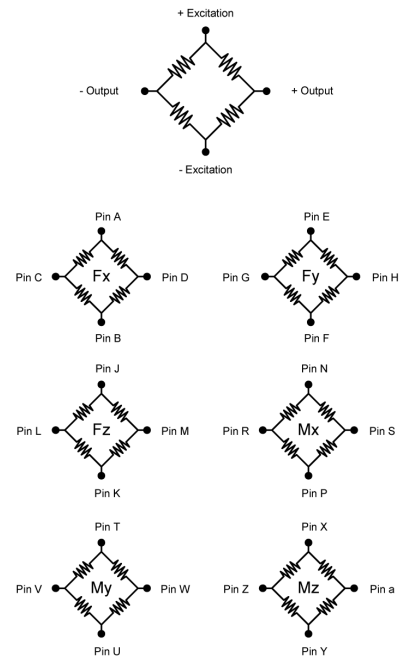
Last modified:2016-08-23

TECHNICAL DRAWINGS

Footprint Drawing



Electrical Drawing



Bridges Fz; Mz = 700 ohms
 Bridges Fx; Fy; Mx; My; = 350 ohms
Connector Type:
 Souriau 851-02E16-26P50-44

© Advanced Mechanical Technology, Inc.

176 Waltham Street, Watertown, MA 02472-4800 USA

1-617-926-6700